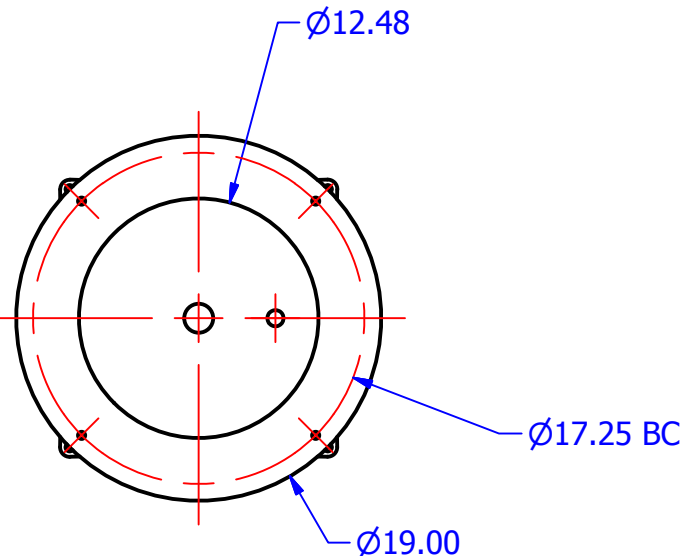


THIS DOCUMENT IS FOR REFERENCE ONLY AND IS PROPRIETARY INFORMATION BELONGING TO INTERNATIONAL FILTER PRODUCTS UNAUTHORIZED COPIES OR USE FOR OTHER PURPOSES STRICTLY PROHIBITED.

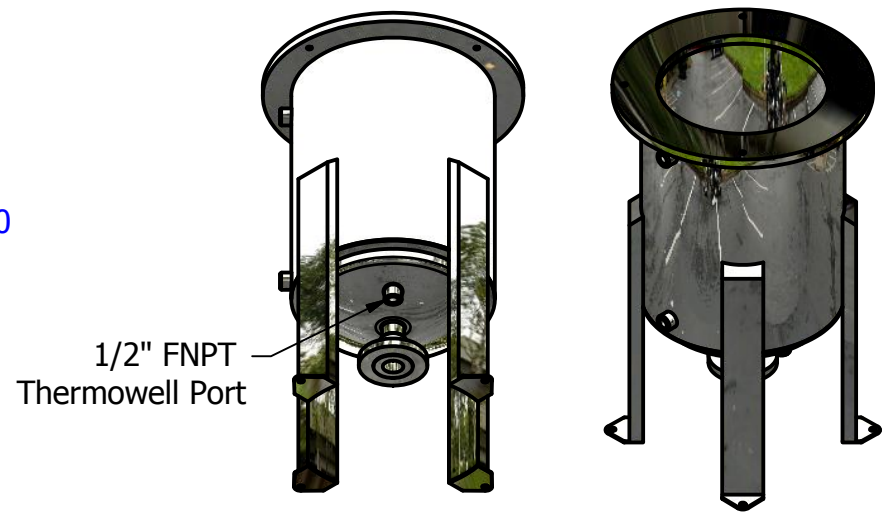
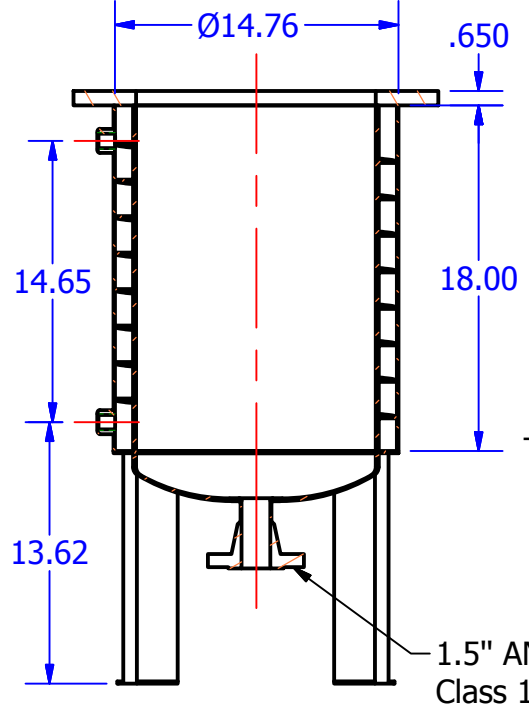
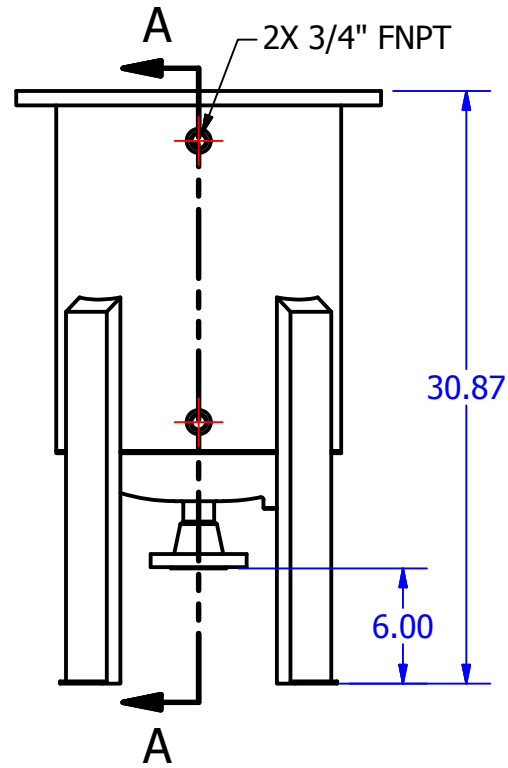
REVISIONS				
ZONE	REV	DESCRIPTION	DATE	APPROVED
	1	Sales Drawing	8/25/2015	CD Morland

D
C
B
A

D
C
B
A



- NOTES:
- 1.0 MATERIAL IS 316L SS AS PER ASME.
 - 2.0 THE OUTLET IS 1.5" ANSI B16.5 CLASS 150 lb.
 - 3.0 THE PROCESS VESSEL MUST BE JACKETED ON THE OUTSIDE, JACKET MATERIAL IS 316L.
 - 4.0 INTERNAL WETTED SURFACES ARE 16 RA FINISH; EXTERNAL EXPOSED SURFACES ARE 25 RA FINISHED.
 - 5.0 ALL SURFACES ARE TO BE ELECTRO-POLISHED.
 - 6.0 THE DESIGN PRESSURE OF THE JACKET IS 100 PSI, 32 F.
 - 7.0 JACKET HAS BAFFLES TO ENSURE FLUID CIRCULATES EVENLY AROUND THE PROCESS FLUID VESSEL.
 - 8.0 THE JACKET FLUID IS CHILLED WATER, INLET/OUTLET, ARE 0.75" NPT (FEMALE).
 - 9.0 FOUR LEGS ARE WELDED FOR SUPPORT.



1.5" ANSI B16.5 Class 150 lb

SECTION A-A
SCALE 1/10

DRAWN D. Hooper	5/26/2015
CHECKED CD Morland	5/26/2015
APPROVED CD Morland	5/26/2015

International Filter Products	
904 N. FREDERIC ST. BURBANK, CA 91505	PHONE: 818-841-2702 FAX: 818-841-2947 email: cdmorland@sbcglobal.net

UNLESS OTHERWISE SPECIFIED DIMENSIONS ARE IN INCHES		TITLE 25L Jacketed Tank	
DECIMALS X +/- .030 XX +/- .015 XXX +/- .005	FRACTIONS +/- 1/16 ANGLES +/- 1/2 SURFACE ROUGHNESS 125	SIZE A	ISOF NO
CONCENTRICITIES .010 (FIM) INTERNAL RADII .015~.030 BREAK CORNERS .005~.015		DWG NO 01-1790-25L-C5	REV 1
SCALE NA	WEIGHT	SHEET 1 OF 2	

4

3

2

1

4

3

2

1

THIS DOCUMENT IS FOR REFERENCE ONLY AND IS PROPRIETARY INFORMATION BELONGING TO INTERNATIONAL FILTER PRODUCTS UNAUTHORIZED COPIES OR USE FOR OTHER PURPOSES STRICTLY PROHIBITED.

REVISIONS				
ZONE	REV	DESCRIPTION	DATE	APPROVED
	1	Sales Drawing	8/25/2015	CD Morland

4 x $\frac{3}{8}$ - 16 UNC - 2B
See Note 1

Notes:

1.0 The $\frac{3}{8}$ -UNC-2B thread be must tapped completely through the top cover.
2.0 The detail on how the legs are bolted to the floor is important to our client.

DETAIL C
SCALE 1 / 2

DRAWN D. Hooper	5/26/2015	International Filter Products		
CHECKED CD Morland	5/26/2015	904 N. FREDERIC ST. PHONE: 818-841-2702 BURBANK, CA 91505 FAX: 818-841-2947 email: cdmorland@sbcglobal.net		
APPROVED CD Morland	5/26/2015	TITLE 25L Jacketed Tank		
UNLESS OTHERWISE SPECIFIED DIMENSIONS ARE IN INCHES		SIZE A	ISOF NO	DWG NO 01-1790-25L-C5
DECIMALS X +/- .030	FRACTIONS +/- 1/16	SCALE	WEIGHT	REV 1
XX +/- .015	ANGLES +/- 1/2	NA		
XXX +/- .005	SURFACE ROUGHNESS 125			
CONCENTRICITIES .010 (FIM)		SHEET 2 OF 2		
INTERNAL RADII .015~.030				
BREAK CORNERS .005~.015				

4

3

2

1