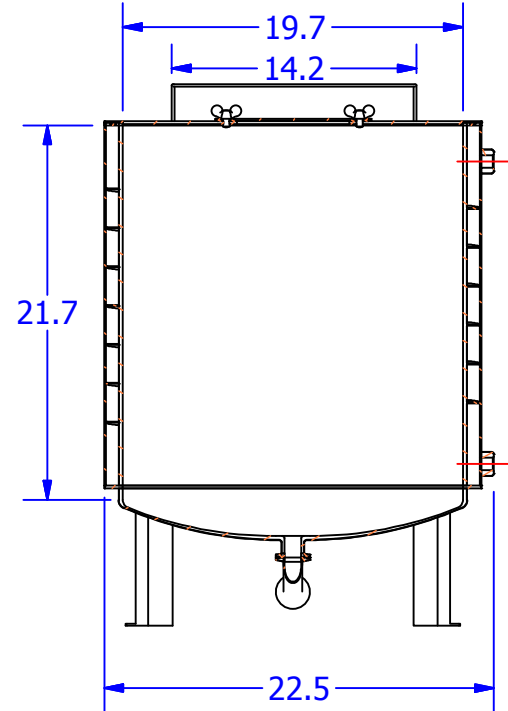
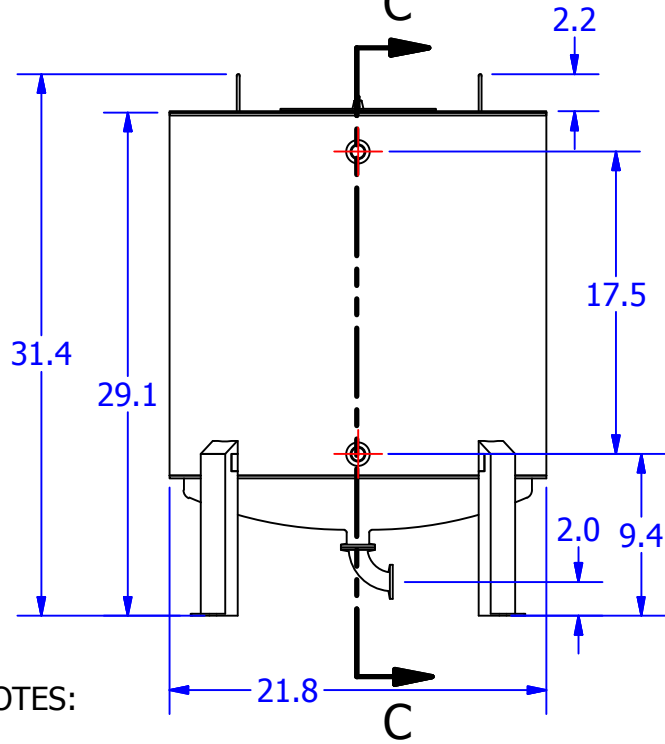


THIS DOCUMENT IS FOR REFERENCE ONLY AND IS PROPRIETARY INFORMATION BELONGING TO INTERNATIONAL FILTER PRODUCTS UNAUTHORIZED COPIES OR USE FOR OTHER PURPOSES STRICTLY PROHIBITED.

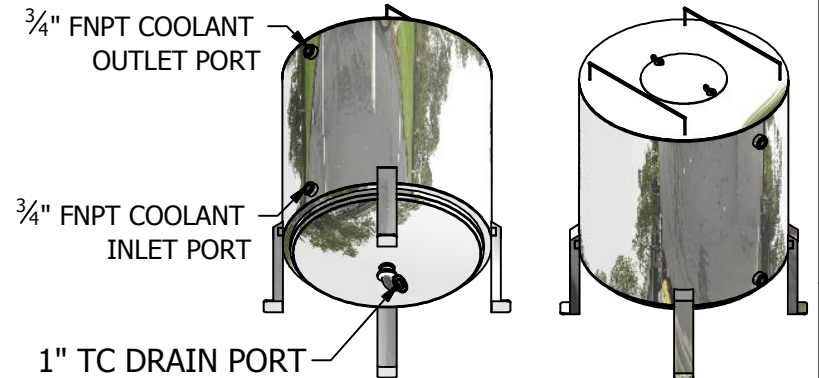
| REVISIONS | | | | |
|-----------|-----|--------------------|-----------|------------|
| ZONE | REV | DESCRIPTION | DATE | APPROVED |
| | 1 | PRODUCTION RELEASE | 8/27/2013 | CD Morland |



SECTION C-C
SCALE 0.09 : 1

NOTES:

- 1.0 MATERIAL IS 304 SS AS PER ASME BPE.
- 2.0 THE DRAIN PORT IS A 1.0" TC CONNECTION.
- 3.0 THE PROCESS VESSEL MUST BE JACKETED ON THE OUTSIDE, JACKET MATERIAL IS 304.
- 4.0 INTERNAL WETTED SURFACES ARE 16 RA FINISH; EXTERNAL EXPOSED SURFACES ARE 25 RA FINISHED.
- 5.0 ALL SURFACES ARE TO BE ELECTRO-POLISHED.
- 6.0 DESIGNED TO ACCEPT SILICON GASKET.
- 7.0 THE DESIGN PRESSURE OF THE JACKET IS 100 PSI, 32 F.
- 8.0 JACKET HAS BAFFLES TO ENSURE FLUID CIRCULATES EVENLY AROUND THE PROCESS FLUID VESSEL.
- 9.0 THE JACKET FLUID IS REFRIGERATION COOLANT, INLET/OUTLET, ARE 0.75" NPT (FEMALE).
- 10.0 FOUR LEGS ARE WELDED FOR SUPPORT.
- 11.0 THE VESSEL IS DESIGNED TO BE STEAM STERILIZED AT 126 C FOR 60 MINUTES.



| | |
|------------------------|-----------|
| DRAWN YA Zanki | 8/27/2013 |
| CHECKED CD Morland | 8/27/2013 |
| APPROVED CD Morland | 8/27/2013 |

International Filter Products
904 N. FREDERIC ST. BURBANK, CA 91505
PHONE: 818-841-2702
FAX: 818-841-2947
email: cdmorland@sbcglobal.net

UNLESS OTHERWISE SPECIFIED
DIMENSIONS ARE IN INCHES
DECIMALS FRACTIONS +/- 1/16
X +/- .030 ANGLES +/- 1/2
XX +/- .015 SURFACE ROUGHNESS 125
XXX +/- .005
CONCENTRICITIES .010 (FIM)
INTERNAL RADII .015~.030
BREAK CORNERS .005~.015

| | | | |
|--------------------------------------|---------|---------------------------------|-----------------|
| TITLE 100L Jacketed Tank-C | | | |
| SIZE A | ISOF NO | DWG NO 01-1800-100L-C | REV 1 |
| SCALE NA | WEIGHT | SHEET 1 | OF 1 |