

THIS DOCUMENT IS FOR REFERENCE ONLY AND IS PROPRIETARY INFORMATION BELONGING TO INTERNATIONAL FILTER PRODUCTS UNAUTHORIZED COPIES OR USE FOR OTHER PURPOSES STRICTLY PROHIBITED.

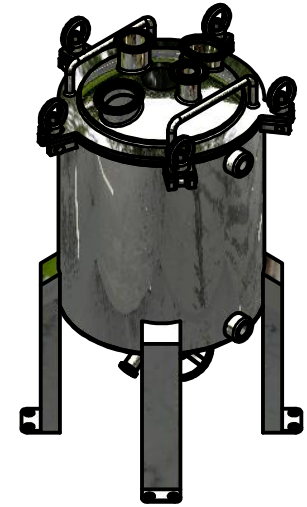
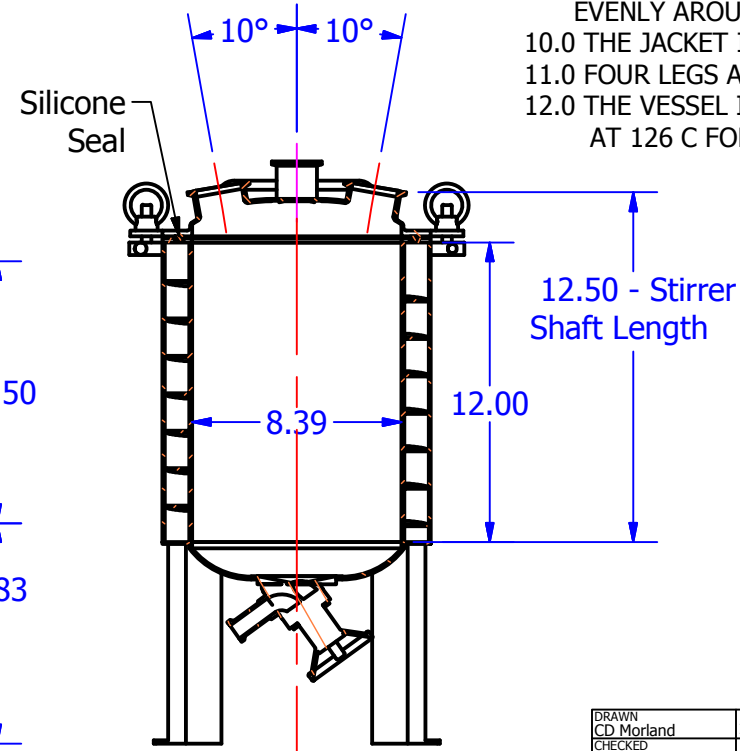
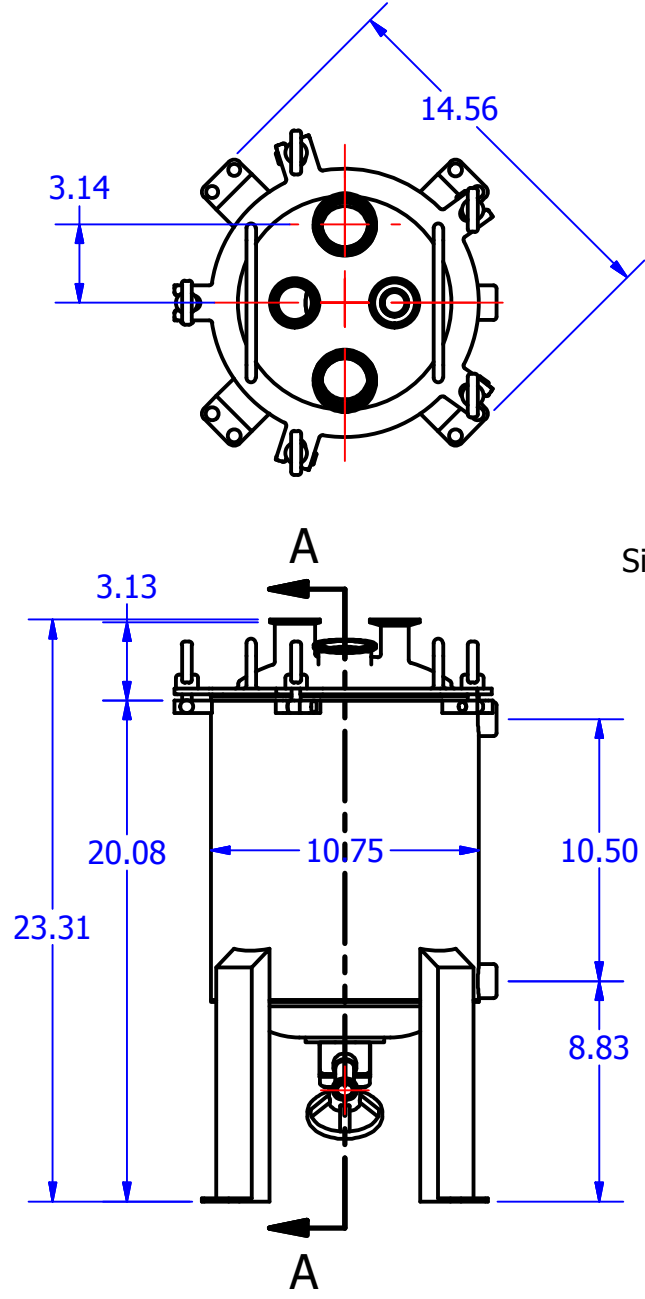
REVISIONS				
ZONE	REV	DESCRIPTION	DATE	APPROVED
	1	Sales Drawing	8/18/2014	
	2	Added 1.0" TC on Cover, Revised Port Call Outs	11/15/2014	

D
C
B
A

D
C
B
A

APPROVAL
 Signed By: _____
 Date: _____

- NOTES:**
- 1.0 MATERIAL: WETTED SURFACES ARE 316 SS PER ASME BPE, ALL OTHERS ARE 304 SS.
 - 2.0 THE VESSEL VOLUME IS 10 LITERS.
 - 3.0 THE PROCESS VESSEL IS JACKETED , JACKET MATERIAL IS 304.
 - 4.0 INTERNAL WETTED SURFACES ARE 16 RA FINISH; EXTERNAL EXPOSED SURFACES ARE 25 RA .
 - 5.0 ALL SURFACES ARE TO BE ELECTRO-POLISHED.
 - 6.0 VESSEL COVER IS SEALED WITH SILICON GASKET.
 - 7.0 THE DESIGN PRESSURE OF THE JACKET IS 100 PSI, 275 F.
 - 8.0 THE DESIGN PRESSURE OF THE TANK IS 150 PSI, 275 F.
 - 9.0 JACKET HAS BAFFLES TO ENSURE FLUID CIRCULATES EVENLY AROUND THE PROCESS FLUID VESSEL.
 - 10.0 THE JACKET INLET/OUTLET, ARE 0.75" FNPT (FEMALE).
 - 11.0 FOUR LEGS ARE FOR SUPPORT.
 - 12.0 THE VESSEL IS DESIGNED TO BE STEAM STERILIZED AT 126 C FOR 60 MINUTES.



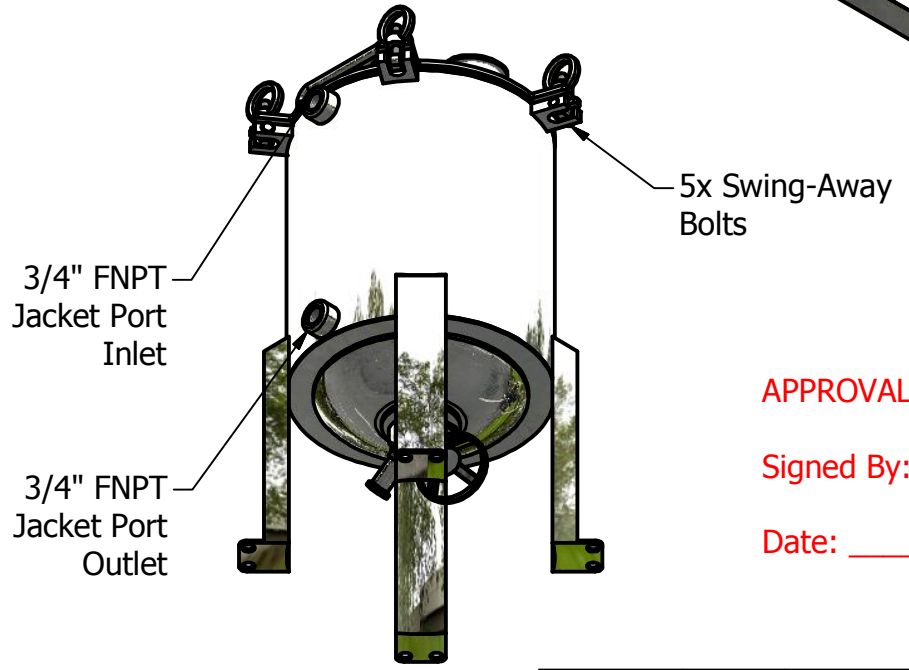
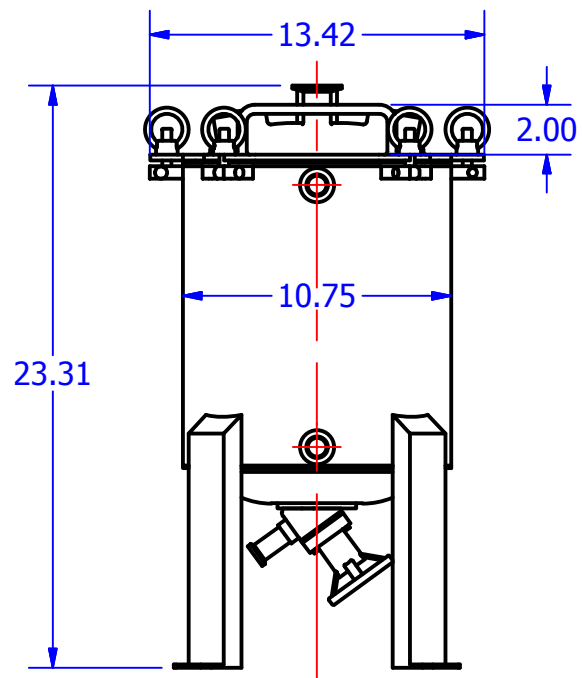
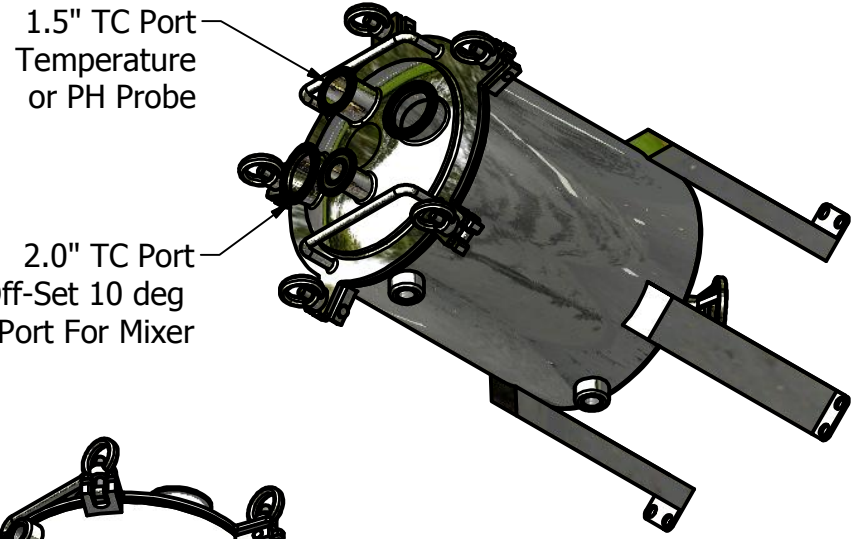
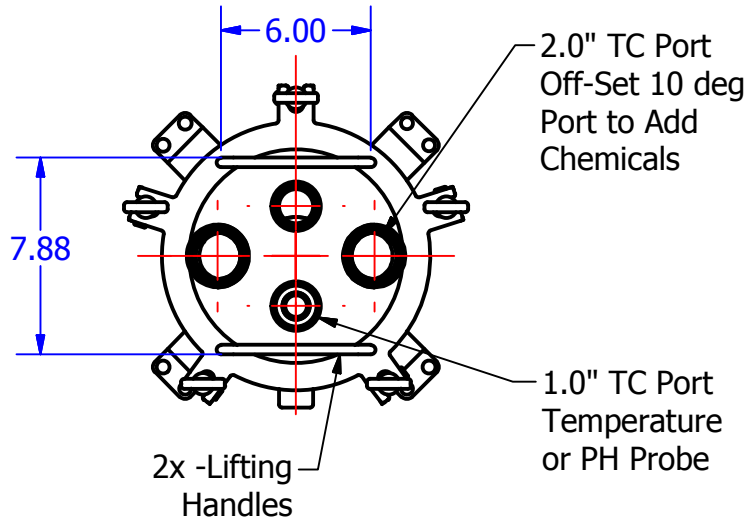
SECTION A-A
SCALE 0.13 : 1

DRAWN CD Morland	10/10/2014	International Filter Products	
CHECKED		904 N. FREDERIC ST. BURBANK, CA 91505	PHONE: 818-841-2702 FAX: 818-841-2947 email: cdmorland@sbcglobal.net
APPROVED		TITLE 10L JACKETED TANK - VALVE	
UNLESS OTHERWISE SPECIFIED DIMENSIONS ARE IN INCHES		SIZE A	REV 1
DECIMALS X +/- .030	FRACTIONS +/- 1/16	ISOF NO	DWG NO 01-2400-10L-CV
ANGLES +/- 1/2	SURFACE ROUGHNESS 125	WEIGHT	SHEET 1 OF 2
CONCENTRICITIES .010 (FIM)	INTERNAL RADII .015~.030		
BREAK CORNERS .005~.015			

4 3 2 1

THIS DOCUMENT IS FOR REFERENCE ONLY AND IS PROPRIETARY INFORMATION BELONGING TO INTERNATIONAL FILTER PRODUCTS UNAUTHORIZED COPIES OR USE FOR OTHER PURPOSES STRICTLY PROHIBITED.

REVISIONS				
ZONE	REV	DESCRIPTION	DATE	APPROVED
	1	Sales Drawing	8/18/2014	
	2	Added 1.0" TC on Cover, Revised Port Call Outs	11/15/2014	



APPROVAL

Signed By: _____

Date: _____

DRAWN CD Morland CHECKED APPROVED	10/10/2014 	International Filter Products 904 N. FREDERIC ST. BURBANK, CA 91505 PHONE: 818-841-2702 FAX: 818-841-2947 email: cdmorland@sbcglobal.net
UNLESS OTHERWISE SPECIFIED DIMENSIONS ARE IN INCHES DECIMALS X +/- .030 FRACTIONS +/- 1/16 XX +/- .015 ANGLES +/- 1/2 XXX +/- .005 SURFACE ROUGHNESS 125		TITLE 10I JACKETED TANK - VALVE
CONCENTRICITIES .010 (FIM) INTERNAL RADII .015~.030 BREAK CORNERS .005~.015	SIZE A	DWG NO. 01-2400-10L-CV REV 1
SCALE NA	WEIGHT	SHEET 2 OF 2