

THIS DOCUMENT IS FOR REFERENCE ONLY AND IS PROPRIETARY INFORMATION BELONGING TO INTERNATIONAL FILTER PRODUCTS UNAUTHORIZED COPIES OR USE FOR OTHER PURPOSES STRICTLY PROHIBITED.

REVISIONS				
ZONE	REV	DESCRIPTION	DATE	APPROVED
	1	Sales Drawing	8/18/2014	
	2	Added 1.0" TC on Cover, Revised Port Call Outs	11/15/2014	

**NOTES:**

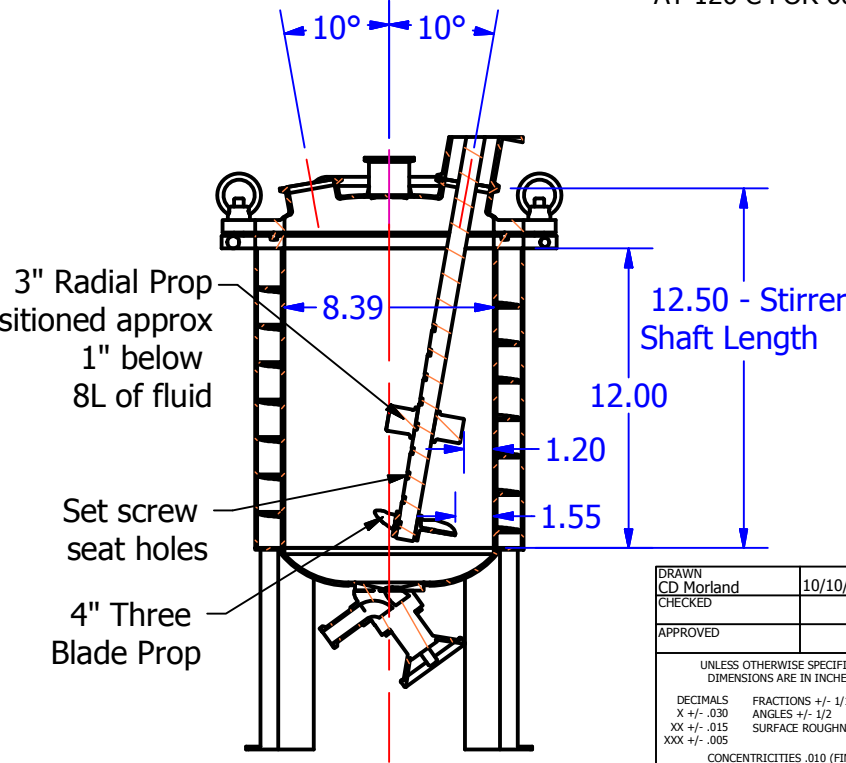
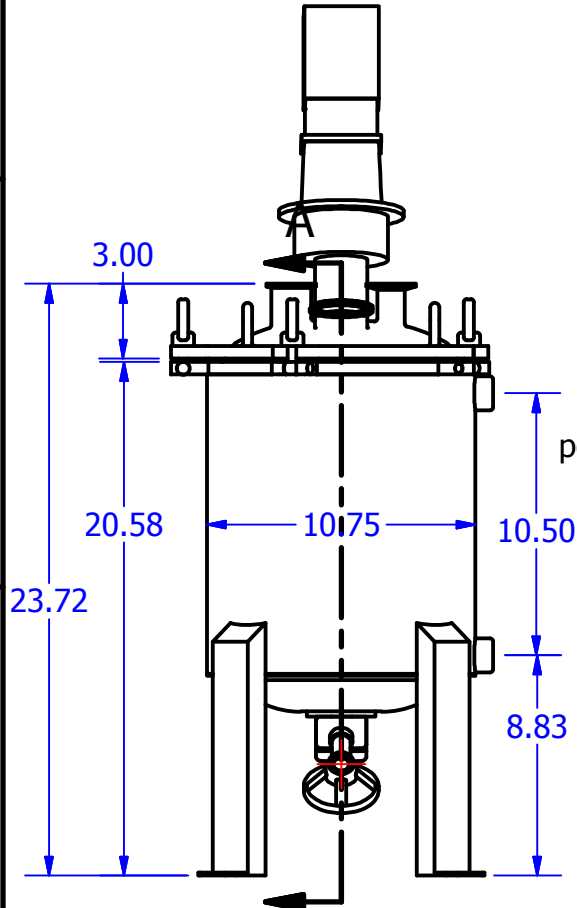
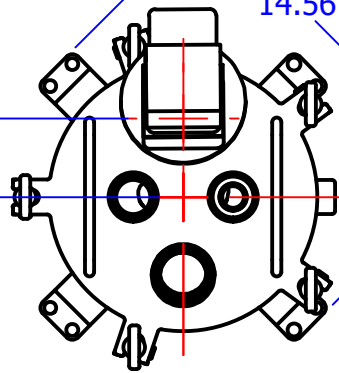
- 1.0 MATERIAL: WETTED SURFACES ARE 316 SS PER ASME BPE, ALL OTHERS ARE 304 SS.
- 2.0 THE VESSEL VOLUME IS 10 LITERS.
- 3.0 THE PROCESS VESSEL IS JACKETED , JACKET MATERIAL IS 304.
- 4.0 INTERNAL WETTED SURFACES ARE 16 RA FINISH; EXTERNAL EXPOSED SURFACES ARE 25 RA .
- 5.0 ALL SURFACES ARE TO BE ELECTRO-POLISHED.
- 6.0 VESSEL COVER IS SEALED WITH SILICON GASKET.
- 7.0 THE DESIGN PRESSURE OF THE JACKET IS 100 PSI, 275 F.
- 8.0 THE DESIGN PRESSURE OF THE TANK IS 150 PSI, 275 F.
- 9.0 JACKET HAS BAFFLES TO ENSURE FLUID CIRCULATES EVENLY AROUND THE PROCESS FLUID VESSEL.
- 10.0 THE JACKET INLET/OUTLET, ARE 0.75" FNPT (FEMALE).
- 11.0 FOUR LEGS ARE FOR SUPPORT.
- 12.0 THE VESSEL IS DESIGNED TO BE STEAM STERILIZED AT 126 C FOR 60 MINUTES.

**APPROVAL**

Signed By: \_\_\_\_\_

Date: \_\_\_\_\_

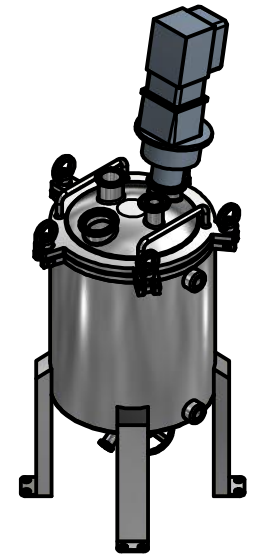
**SECTION A-A  
SCALE 0.13 : 1**



3" Radial Prop positioned approx 1" below 8L of fluid

Set screw seat holes

4" Three Blade Prop



DRAWN CD Morland	10/10/2014
CHECKED	
APPROVED	

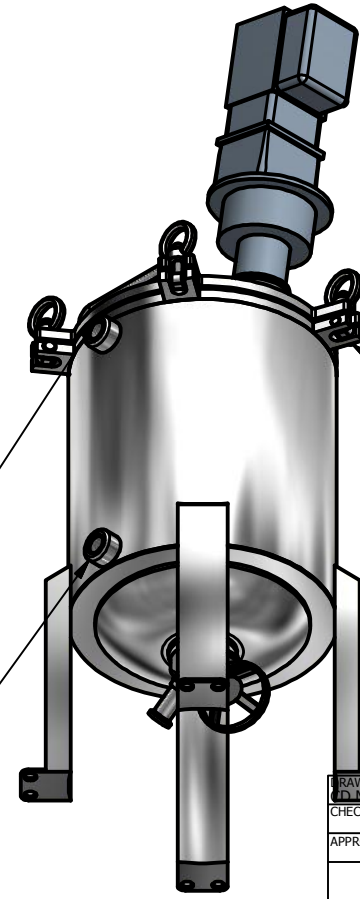
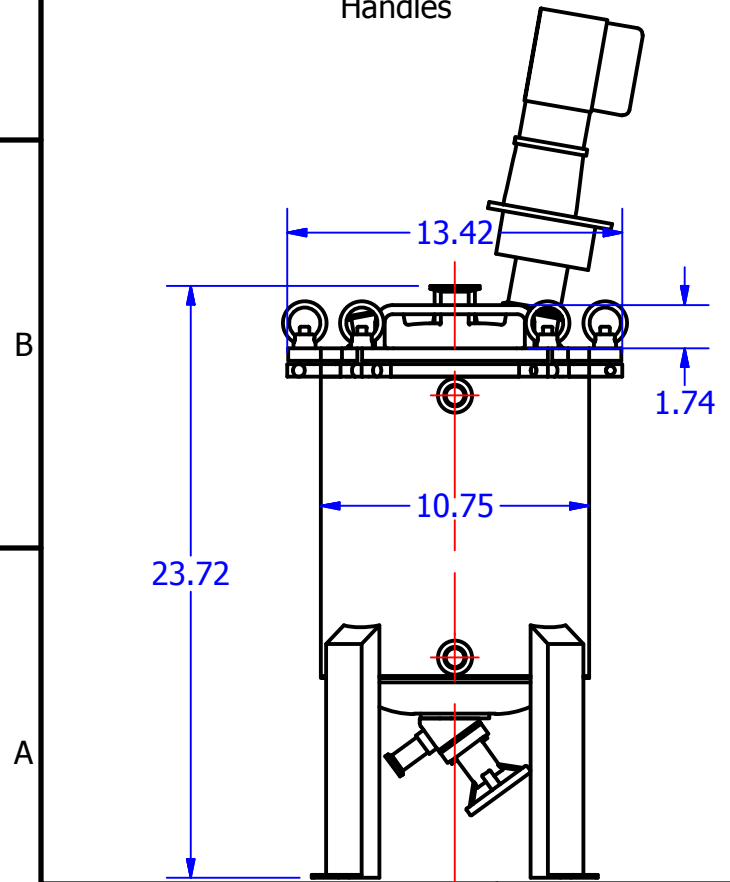
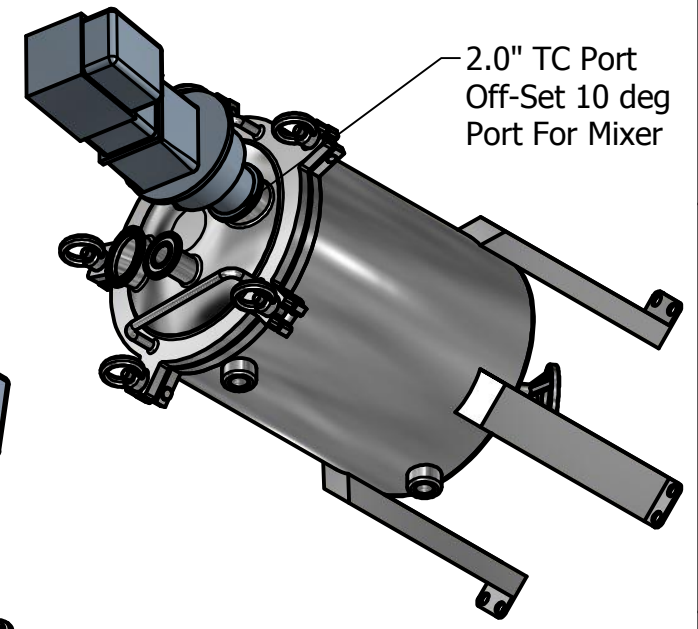
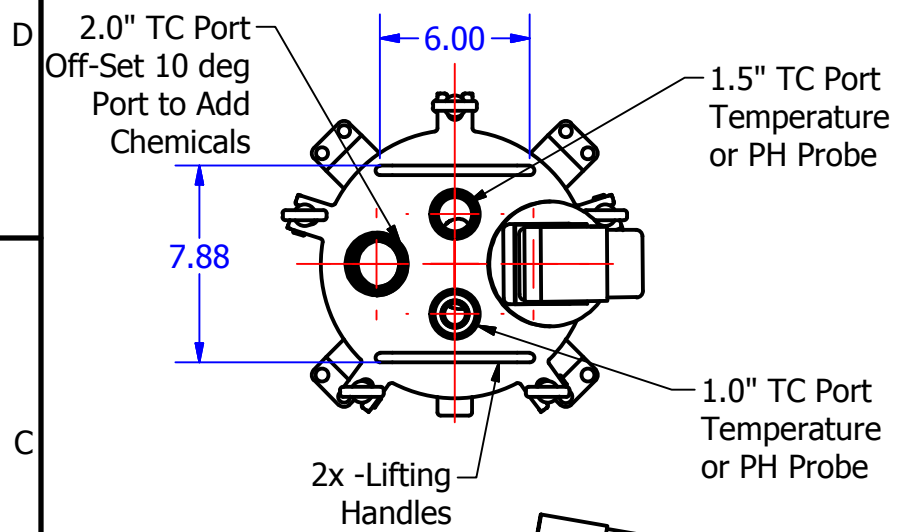
**International Filter Products**  
904 N. FREDERIC ST. BURBANK, CA 91505  
PHONE: 818-841-2702  
FAX: 818-841-2947  
email: cdmorland@sbcglobal.net

UNLESS OTHERWISE SPECIFIED DIMENSIONS ARE IN INCHES  
DECIMALS FRACTIONS +/- 1/16  
X +/- .030 ANGLES +/- 1/2  
XX +/- .015 SURFACE ROUGHNESS 125  
XXX +/- .005  
CONCENTRICITIES .010 (FIM)  
INTERNAL RADII .015~.030  
BREAK CORNERS .005~.015

TITTLE <b>10L JACKETED TANK - VALVE</b>			
SIZE <b>A</b>	ISOF NO	DWG NO <b>01-2400-10L-CV</b>	REV <b>1</b>
SCALE NA	WEIGHT	SHEET <b>1</b> OF <b>2</b>	

THIS DOCUMENT IS FOR REFERENCE ONLY AND IS PROPRIETARY INFORMATION BELONGING TO INTERNATIONAL FILTER PRODUCTS UNAUTHORIZED COPIES OR USE FOR OTHER PURPOSES STRICTLY PROHIBITED.

REVISIONS				
ZONE	REV	DESCRIPTION	DATE	APPROVED
	1	Sales Drawing	8/18/2014	
	2	Added 1.0" TC on Cover, Revised Port Call Outs	11/15/2014	



**APPROVAL**

Signed By: \_\_\_\_\_

Date: \_\_\_\_\_

DRAWN	10/10/2014
CHECKED	
APPROVED	

**International Filter Products**  
 904 N. FREDERIC ST. PHONE: 818-841-2702  
 BURBANK, CA 91505 FAX: 818-841-2947  
 email: cdmorland@sbcglobal.net

UNLESS OTHERWISE SPECIFIED DIMENSIONS ARE IN INCHES

DECIMALS FRACTIONS +/- 1/16  
 X +/- .030 ANGLES +/- 1/2  
 XX +/- .015 SURFACE ROUGHNESS 125  
 XXX +/- .005

CONCENTRICITIES .010 (FIM)  
 INTERNAL RADII .015~.030  
 BREAK CORNERS .005~.015

TITLE			
10I JACKETED TANK - VALVE			
SIZE	ISOF NO	DWG NO	REV
A		01-2400-10L-CV	1
SCALE	WEIGHT	SHEET 2 OF 2	