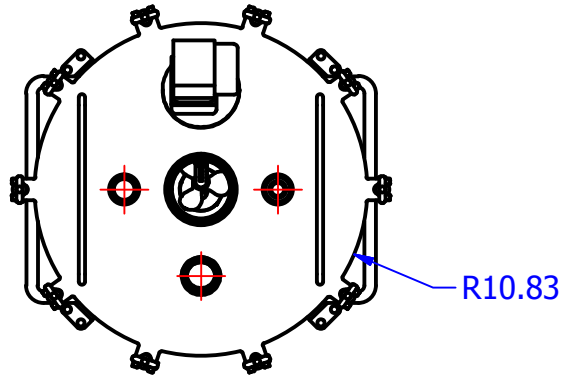


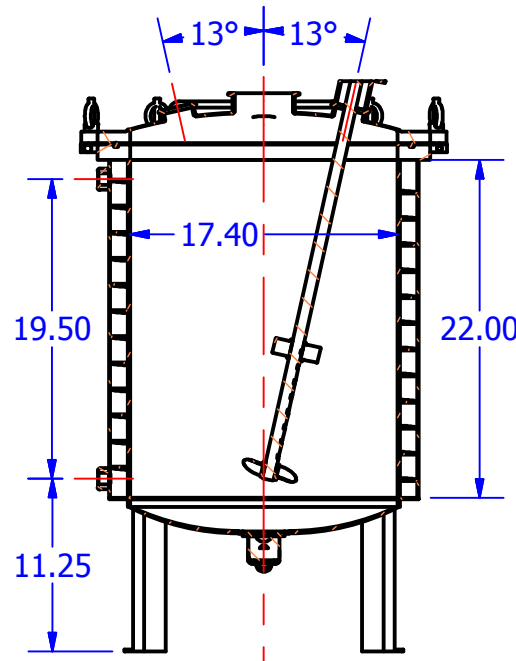
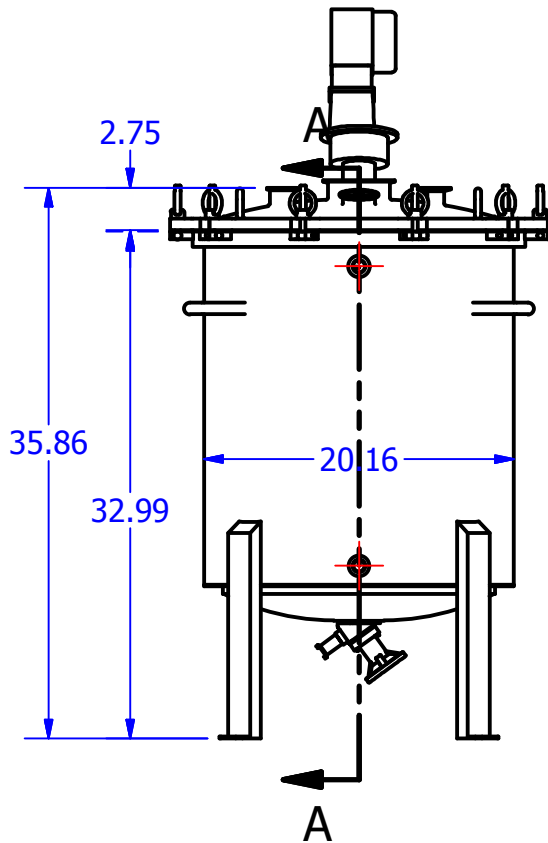
THIS DOCUMENT IS FOR REFERENCE ONLY AND IS PROPRIETARY INFORMATION BELONGING TO INTERNATIONAL FILTER PRODUCTS UNAUTHORIZED COPIES OR USE FOR OTHER PURPOSES STRICTLY PROHIBITED.

REVISIONS				
ZONE	REV	DESCRIPTION	DATE	APPROVED
	1	Sales Drawing	8/18/2014	CD Morland

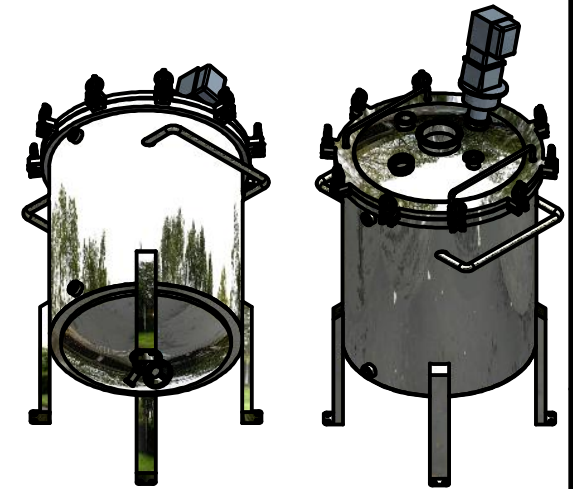


NOTES:

- 1.0 MATERIAL: WETTED SURFACES ARE 316 SS PER ASME BPE, ALL OTHERS ARE 304 SS.
- 2.0 THE VESSEL VOLUME IS 75 LITERS.
- 3.0 THE PROCESS VESSEL IS JACKETED , JACKET MATERIAL IS 304.
- 4.0 INTERNAL WETTED SURFACES ARE < 11 RA FINISH; EXTERNAL EXPOSED SURFACES ARE < 20 RA .
- 5.0 ALL SURFACES ARE TO BE ELECTRO-POLISHED.
- 6.0 VESSEL COVER IS SEALED WITH SILICON GASKET.
- 7.0 THE DESIGN PRESSURE OF THE JACKET IS 100 PSI, 275 F.
- 8.0 THE DESIGN PRESSURE OF THE TANK IS 150 PSI, 275 F.
- 9.0 JACKET HAS BAFFLES TO ENSURE FLUID CIRCULATES EVENLY AROUND THE PROCESS FLUID VESSEL.
- 10.0 THE JACKET INLET/OUTLET, ARE 0.75" FNPT (FEMALE).
- 11.0 FOUR LEGS ARE FOR SUPPORT.
- 12.0 THE VESSEL IS DESIGNED TO BE STEAM STERILIZED AT 126 C FOR 60 MINUTES.



SECTION A-A
SCALE 0.08 : 1



DRAWN J Toghia 2/24/2015	CHECKED CD Morland 2/24/2015	APPROVED CD Morland 2/24/2015	International Filter Products 904 N. FREDERIC ST. BURBANK, CA 91505 PHONE: 818-841-2702 FAX: 818-841-2947 email: cdmorland@sbcglobal.net	
UNLESS OTHERWISE SPECIFIED DIMENSIONS ARE IN INCHES DECIMALS FRACTIONS +/- 1/16 X +/- .030 ANGLES +/- 1/2 XX +/- .015 SURFACE ROUGHNESS 125 XXX +/- .005 CONCENTRICITIES .010 (FIM) INTERNAL RADII .015~.030 BREAK CORNERS .005~.015			TITLE 75L Jacketed Tank	
SIZE A	ISOF NO	DWG NO 75L Jacketed Tank-C	SCALE NA	REV
SHEET 1 OF 2				