

4

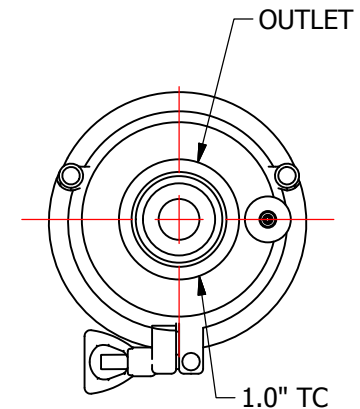
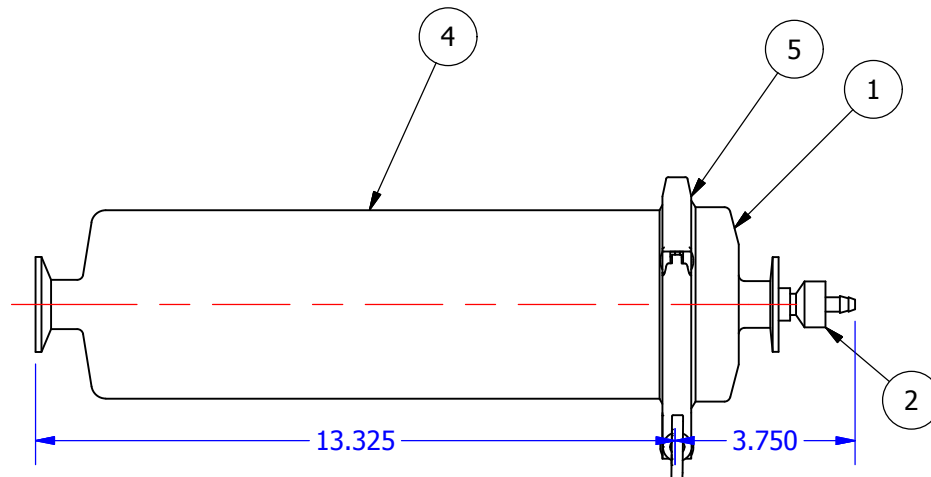
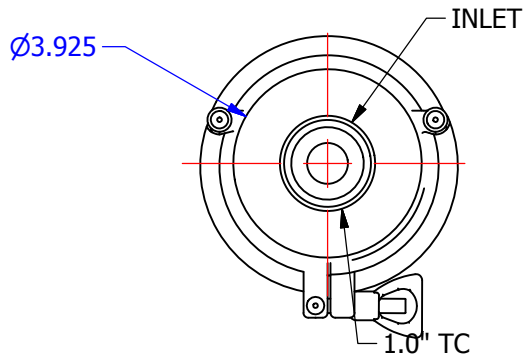
3

2

1

THIS DOCUMENT IS FOR REFERENCE ONLY AND IS PROPRIETARY INFORMATION BELONGING TO INTERNATIONAL FILTER PRODUCTS UNAUTHORIZED COPIES OR USE FOR OTHER PURPOSES STRICTLY PROHIBITED.

REVISIONS					
ZONE	REV	E.D.N.	DESCRIPTION	DATE	APPROVED
	1		PRODUCTION RELEASE	4/27/2010	CDM



NOTES:

- 1.0 ALL WETTED SURFACES ARE 316 L SS PER ASTM-BPE
- 2.0 MAX. OPERATING PRESSURE: 125 PSI (8.8 BAR) @ 212 F (100 C).
- 3.0 FINISH: EXTERIOR, ELECTRO-POLISHED < 20 RA
INTERIOR, ELECTRO-POLISHED < 10 RA
- 4.0 INLET: 1.0" TRI-CLAMP
- 5.0 OUTLET: 1.0" TRI-CLAMP
- 6.0 BOWL CONNECTION: 4.0" TRI-CLAMP
- 7.0 DRAIN VALVE: 1/4" 316 I WITH HOSE BARB OUTLET
- 8.0 BOWL TRI-CLAMP IS 304 SS
- 9.0 SEALS: SILICONE
- 10.0 FILTER: ACCEPTS 2.75 DIA, 10" LONG, 226 0-RINGS W/FIN

ITEM	QTY	PART NUMBER	DESCRIPTION	MATERIAL
5	1	01-0431	TRI CLAMP ASSY	304 SS
4	1	01-0294	Center Pipe	316 L ASTM-BPE
3	1	01-0293	Seal - Main Body - NOT SHOWN	SILICONE
2	1	01-0292	1/2 Vent Valve	316 L ASTM-BPE
1	1	01-0291	Bottom Head	316 L ASTM-BPE

BILL OF MATERIALS

DRAWN CD Morland		4/27/2010		International Filter Products 904 N. FREDERICK ST. PHONE: 818-841-2702 BURBANK, CA 91505 FAX: 818-841-2947 email: cdmorland@sbcglobal.net	
CHECKED					
APPROVED				TITLE	
UNLESS OTHERWISE SPECIFIED DIMENSIONS ARE IN INCHES				SANITARY - IN-LINE FILTER HOUSING	
DECIMALS	FRACTIONS +/- 1/16	SIZE	ISOF NO	DWG NO	REV
X +/- .030	ANGLES +/- 1/2	A		01-0212-1-1-226-1-1	1
XX +/- .015	SURFACE ROUGHNESS 125	SCALE	WEIGHT	SHEET 1 OF 1	
XXX +/- .005	CONCENTRICITIES .010 (FIM)				
	INTERNAL RADII .015~.030				
	BREAK CORNERS .005~.015				