

4

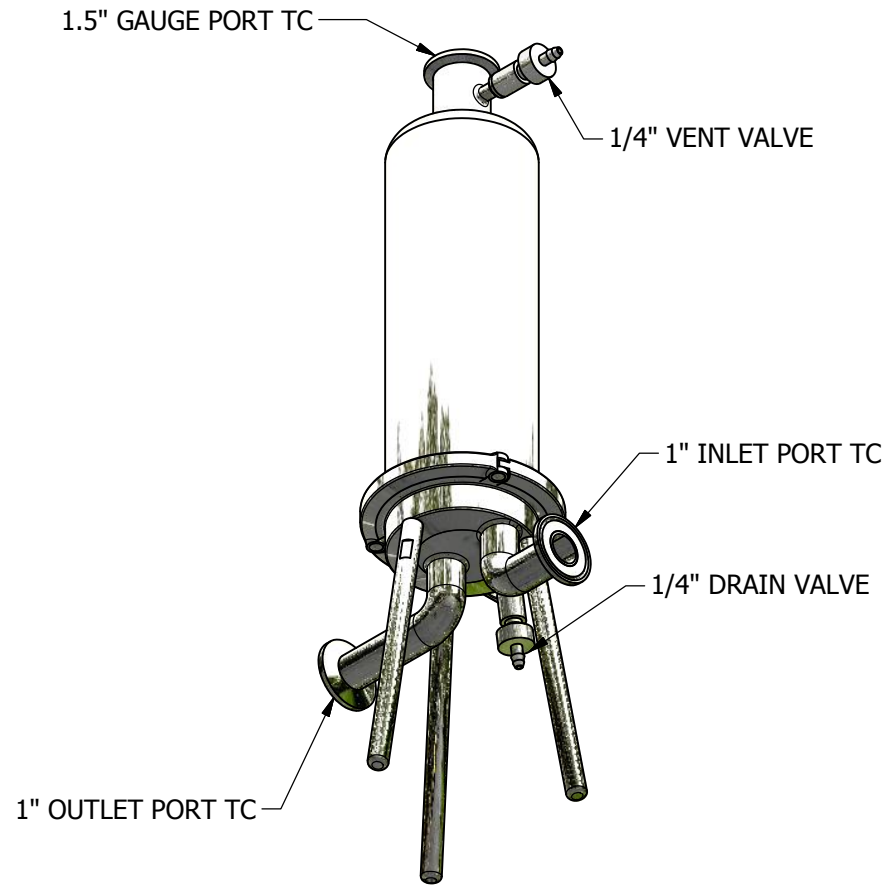
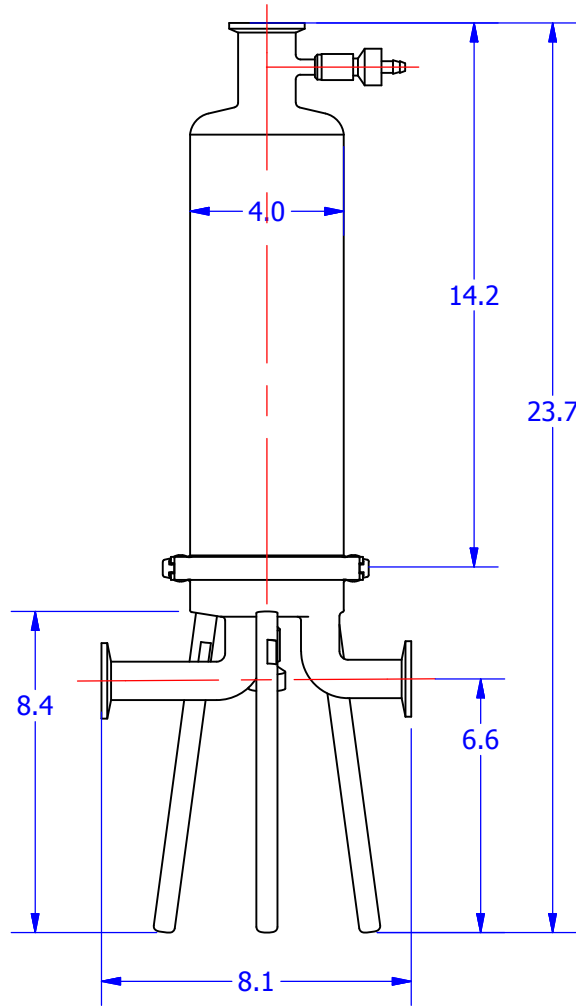
3

2

1

THIS DOCUMENT IS FOR REFERENCE ONLY AND IS PROPRIETARY INFORMATION BELONGING TO INTERNATIONAL FILTER PRODUCTS UNAUTHORIZED COPIES OR USE FOR OTHER PURPOSES STRICTLY PROHIBITED.

REVISIONS					
ZONE	REV	E.D.N.	DESCRIPTION	DATE	APPROVED
	1		PRODUCTION RELEASE	10/3/2013	CD Morland



NOTES:

- 1.0 DESIGN PRESSURE 125 PSI (8.0 BAR) @ 212 F (100 C)
- 2.0 FINISH INTERNAL: < 10 RA; EXTERNAL: < 20 RA
- 3.0 UNIT IS DESIGNED TO ACCEPT FILTER CARTRIDGE, 10" LONG X 2.75 DIA AND 226 O-RINGS, SEAL MATERIAL IS SILICONE.
- 4.0 FILTER HOUSING IS DESIGNED AND BUILT PER ASME 2010 DIVISION I SECTION VIII

DRAWN YA Zanki 10/6/2010 CHECKED CD Morland 10/3/2013 APPROVED CD Morland 10/3/2013	International Filter Products 904 N. FREDERIC ST. BURBANK, CA 91505 PHONE: 818-841-2702 FAX: 818-841-2947 email: cdmorland@sbcglobal.net	TITLE T-TYPE FILTER HOUSING - 10"	
UNLESS OTHERWISE SPECIFIED DIMENSIONS ARE IN INCHES DECIMALS FRACTIONS +/- 1/16 X +/- .030 ANGLES +/- 1/2 XX +/- .015 SURFACE ROUGHNESS 125 XXX +/- .005 CONCENTRICITIES .010 (FIM) INTERNAL RADII .015~.030 BREAK CORNERS .005~.015		SIZE A	DWG NO 01-0210-1-1-226-1-1
SCALE NA	WEIGHT	REV 1	SHEET 1 OF 1

4

3

2

1