

4

3

2

1

THIS DOCUMENT IS FOR REFERENCE ONLY AND IS PROPRIETARY INFORMATION BELONGING TO INTERNATIONAL FILTER PRODUCTS UNAUTHORIZED COPIES OR USE FOR OTHER PURPOSES STRICTLY PROHIBITED.

REVISIONS				
ZONE	REV	DESCRIPTION	DATE	APPROVED
	1		8/18/2014	CD Morland

D

D

C

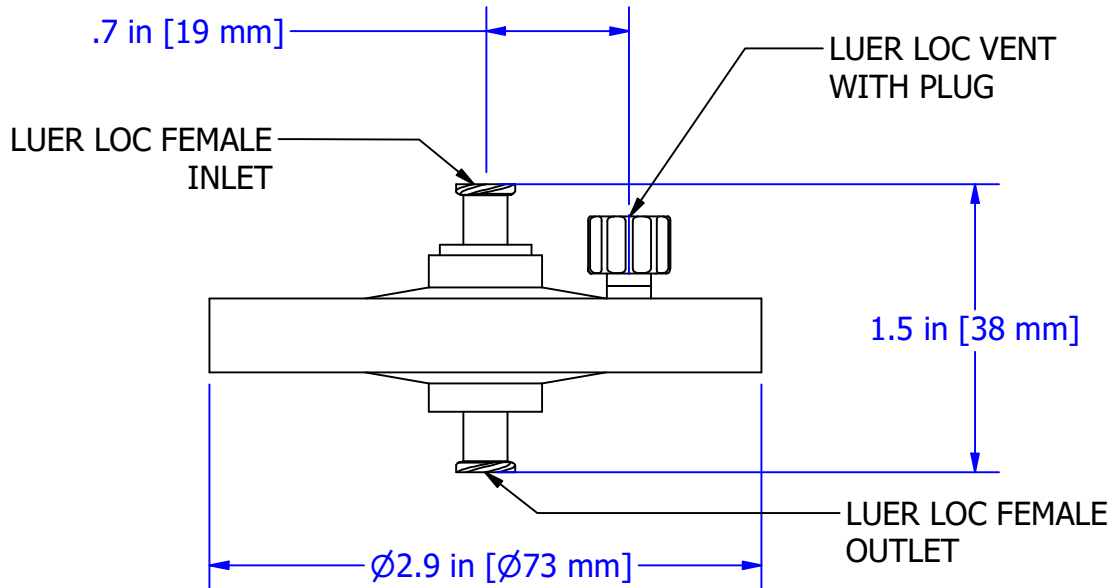
C

B

B

A

A



DRAWN IFP	7/29/2022	International Filter Products		
CHECKED CD Morland		11070 FLEETWOOD ST. UNIT B SUN VALLEY, CA 91352	PHONE: 818-504-8115 FAX: 818-841-2947 email: charlie@internationalfilterproducts.com	
APPROVED CD Morland		TITLE		
UNLESS OTHERWISE SPECIFIED DIMENSIONS ARE IN INCHES		SIZE	ISOF NO	DWG NO
DECIMALS	FRACTIONS +/- 1/16	A		D65 LFLF
X +/- .030	ANGLES +/- 1/2	SCALE	WEIGHT	REV
XX +/- .015	SURFACE ROUGHNESS 125	NA		1
XXX +/- .005				
CONCENTRICITIES .010 (FIM) INTERNAL RADII .015~.030 BREAK CORNERS .005~.015		SHEET 1 OF 1		

4

3

2

1