

4

3

2

1

THIS DOCUMENT IS FOR REFERENCE ONLY AND IS PROPRIETARY INFORMATION BELONGING TO INTERNATIONAL FILTER PRODUCTS UNAUTHORIZED COPIES OR USE FOR OTHER PURPOSES STRICTLY PROHIBITED.

REVISIONS				
ZONE	REV	DESCRIPTION	DATE	APPROVED
	1		8/18/2014	CD Morland

D

D

C

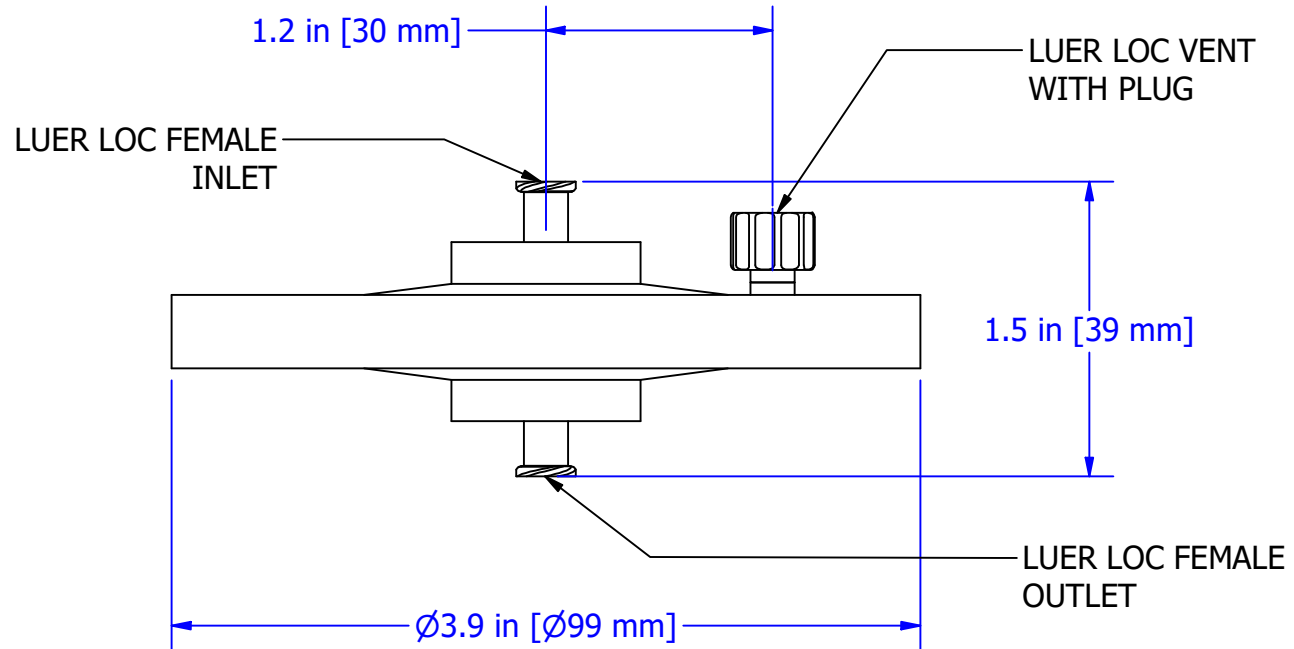
C

B

B

A

A



DRAWN IFP	7/29/2022
CHECKED CD Morland	
APPROVED CD Morland	

International Filter Products
 7914 AJAY DR > PHONE: 818-504-8115
 SUN VALLEY, CA 91352 FAX: 818-841-2947
 email: charlie@internationalfilterproducts.com

UNLESS OTHERWISE SPECIFIED
 DIMENSIONS ARE IN INCHES

DECIMALS FRACTIONS +/- 1/16
 X +/- .030 ANGLES +/- 1/2
 XX +/- .015 SURFACE ROUGHNESS 125
 XXX +/- .005

CONCENTRICITIES .010 (FIM)
 INTERNAL RADII .015~.030
 BREAK CORNERS .005~.015

TITLE			
SIZE A	ISOF NO	DWG NO D90 LFLF	REV 1
SCALE NA	WEIGHT	SHEET 1 OF 1	

4

3

2

1