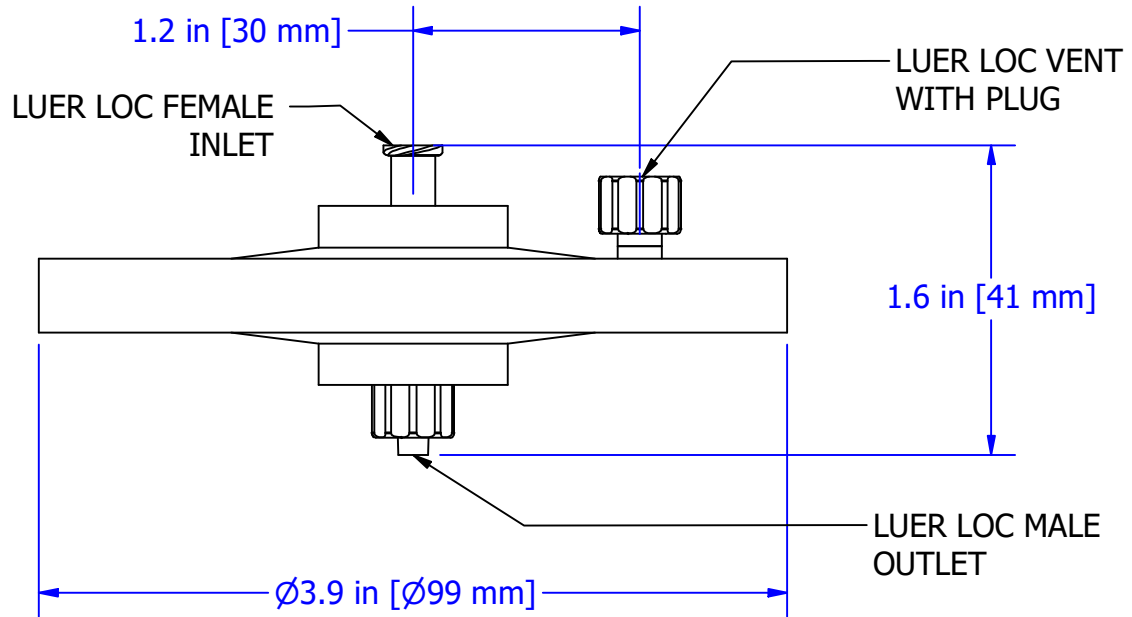


THIS DOCUMENT IS FOR REFERENCE ONLY AND IS PROPRIETARY INFORMATION BELONGING TO INTERNATIONAL FILTER PRODUCTS UNAUTHORIZED COPIES OR USE FOR OTHER PURPOSES STRICTLY PROHIBITED.

REVISIONS				
ZONE	REV	DESCRIPTION	DATE	APPROVED
	1		8/18/2014	CD Morland



DRAWN IFP	7/29/2022
CHECKED CD Morland	
APPROVED CD Morland	

International Filter Products
 7914 AJAY DR. PHONE: 818-504-8115
 SUN VALLEY, CA 91352 FAX: 818-841-2947
 email: charlie@internationalfilterproducts.com

UNLESS OTHERWISE SPECIFIED
 DIMENSIONS ARE IN INCHES

DECIMALS	FRACTIONS +/- 1/16
X +/- .030	ANGLES +/- 1/2
XX +/- .015	SURFACE ROUGHNESS 125
XXX +/- .005	

CONCENTRICITIES .010 (FIM)
 INTERNAL RADII .015~.030
 BREAK CORNERS .005~.015

TITLE			
SIZE A	ISOF NO	DWG NO D90 LFLM	REV 1
SCALE NA	WEIGHT	SHEET 1 OF 1	