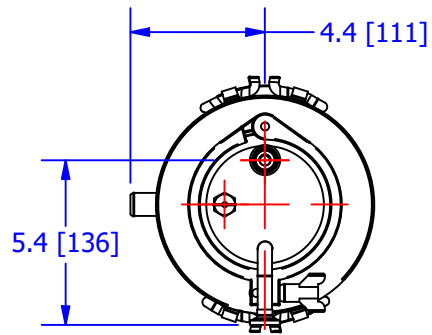


THIS DOCUMENT IS FOR REFERENCE ONLY AND IS PROPRIETARY INFORMATION BELONGING TO INTERNATIONAL FILTER PRODUCTS UNAUTHORIZED COPIES OR USE FOR OTHER PURPOSES STRICTLY PROHIBITED.

REVISIONS				
ZONE	REV	DESCRIPTION	DATE	APPROVED
	-	SALES DRAWING	5/25/2021	CD Morland



3.8 [98] 2mm THK INTERNAL VESSEL ID

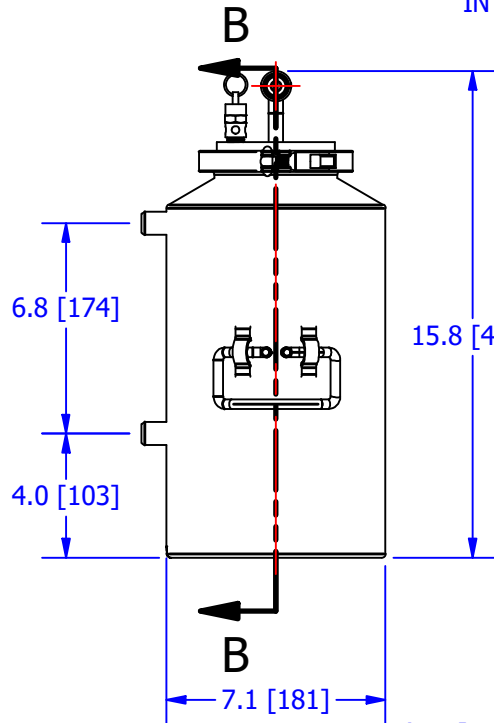
7.0 [177] 2mm THK VESSEL CLADDING ID

5.0 [127] 2mm THK VESSEL JACKET ID



NOTES:

- 1.0 ALL WETTED SURFACE MATERIAL: 316L SS
- 2.0 WORKING VOLUME: 2 LITERS
- 3.0 TOP COVER PORTS:
INLET PORT: 1/2" SANITARY TRI-CLAMP
OUTLET PORT: 1/2" SANITARY TRI-CLAMP
- 4.0 GASKET MATERIAL: EPDM
- 5.0 THE DESIGN PRESSURE OF THE INTERNAL VESSEL & JACKET IS 75 PSI [5.1 BAR] @ 212°F [100°C]
- 6.0 THE VESSEL MUST BE EQUIPPED WITH A MECHANICAL RELIEF VALVE THAT IS RATED FOR VESSEL DESIGN PRESSURE
- 7.0 THE PROCESS VESSEL MUST BE JACKETED ON THE OUTSIDE, JACKET MATERIAL: 304 SS
- 8.0 THE VESSEL TANK MUST BE INSULATED WITH ARMAFLEX HT AND ENCLOSED WITH LAYER 304 SS CLADDING.
- 9.0 THE JACKET FLUID IS REFRIGERATION COOLANT, INLET/OUTLET PORT: 1/4" FNPT
- 10.0 JACKET HAS BAFFLES TO ENSURE FLUID CIRCULATES EVENLY AROUND THE PROCESS FLUID VESSEL.
- 11.0 ALL SURFACES ARE TO BE PASSIVATED AND ELECTRO-POLISHED.
- 12.0 INTERNAL WETTED SURFACES ARE 16 RA FINISH; EXTERNAL EXPOSED SURFACES ARE 20 RA FINISHED.
- 13.0 THE VESSEL IS DESIGNED TO BE STEAM STERILIZED AT 126 C FOR 60 MINUTES.



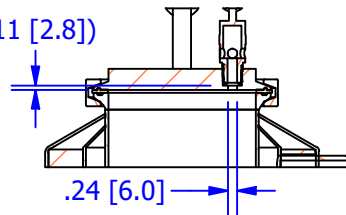
15.8 [402]

11.8 [301]

12.9 [328]

SECTION B-B
SCALE 0.16 : 1

(.11 [2.8])



SECTION E-E
SCALE 0.2 : 1

DRAWN	5/25/2021
YA Zanki	
CHECKED	5/25/2021
OS Ahmad	
APPROVED	5/25/2021
CD Morland	

International Filter Products

7914 Ajay Dr. PHONE: 818-504-8115
Sun Valley, CA 91352 FAX: 818-841-2947
email: www.internationalfilterproducts.com

UNLESS OTHERWISE SPECIFIED
DIMENSIONS ARE IN INCHES

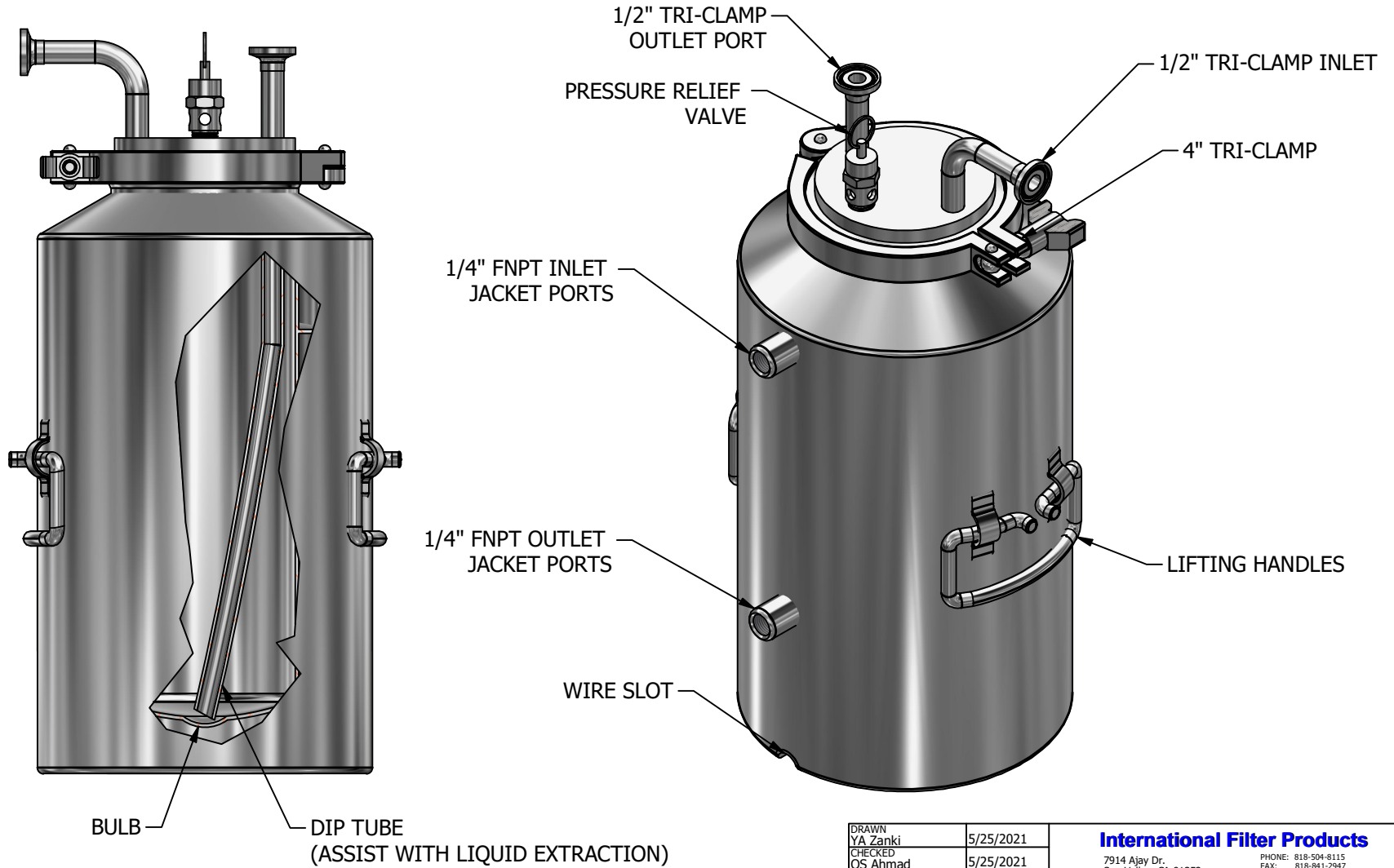
DECIMALS	FRACTIONS +/- 1/16
X +/- .030	ANGLES +/- 1/2
XX +/- .015	SURFACE ROUGHNESS 125
XXX +/- .005	

CONCENTRICITIES .010 (FIM)
INTERNAL RADII .015~.030
BREAK CORNERS .005~.015

TITLE			
BIOREACT, JACK, 2L, 316L SS			
SIZE	ISOF NO	DWG NO	REV
A		IFP-021-1102-EJ	-
SCALE	WEIGHT	SHEET 1 OF 2	
NA	N/A		

THIS DOCUMENT IS FOR REFERENCE ONLY AND IS PROPRIETARY INFORMATION BELONGING TO INTERNATIONAL FILTER PRODUCTS UNAUTHORIZED COPIES OR USE FOR OTHER PURPOSES STRICTLY PROHIBITED.

REVISIONS				
ZONE	REV	DESCRIPTION	DATE	APPROVED
	-	SALES DRAWING	5/25/2021	CD Morland
	A	ADDED CONDENSATION DRAIN AND DETAIL VIEW	8/26/2020	CD Morland
	-	REVISED DRAWING NOTES	2/11/2021	CD Morland



DRAWN YA Zanki CHECKED OS Ahmad APPROVED CD Morland	5/25/2021 5/25/2021 5/25/2021	International Filter Products 7914 Ajay Dr. Sun Valley, CA 91352 PHONE: 818-504-8115 FAX: 818-841-2947 email: www.internationalfilterproducts.com	TITLE BIOREACT, JACK, 2L, 316L SS
UNLESS OTHERWISE SPECIFIED DIMENSIONS ARE IN INCHES DECIMALS FRACTIONS +/- 1/16 X +/- .030 ANGLES +/- 1/2 XX +/- .015 SURFACE ROUGHNESS 125 XXX +/- .005 CONCENTRICITIES .010 (FIM) INTERNAL RADII .015~.030 BREAK CORNERS .005~.015		SIZE A	ISOF NO DWG NO IFP-021-1102-EJ
SCALE	WEIGHT	SHEET 2 OF 2	
NA	N/A		