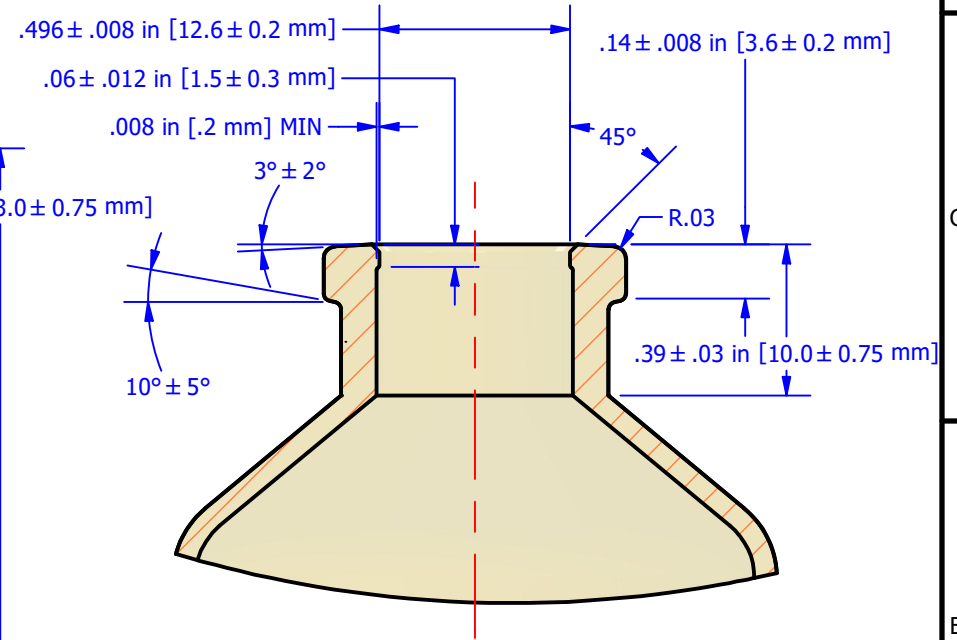
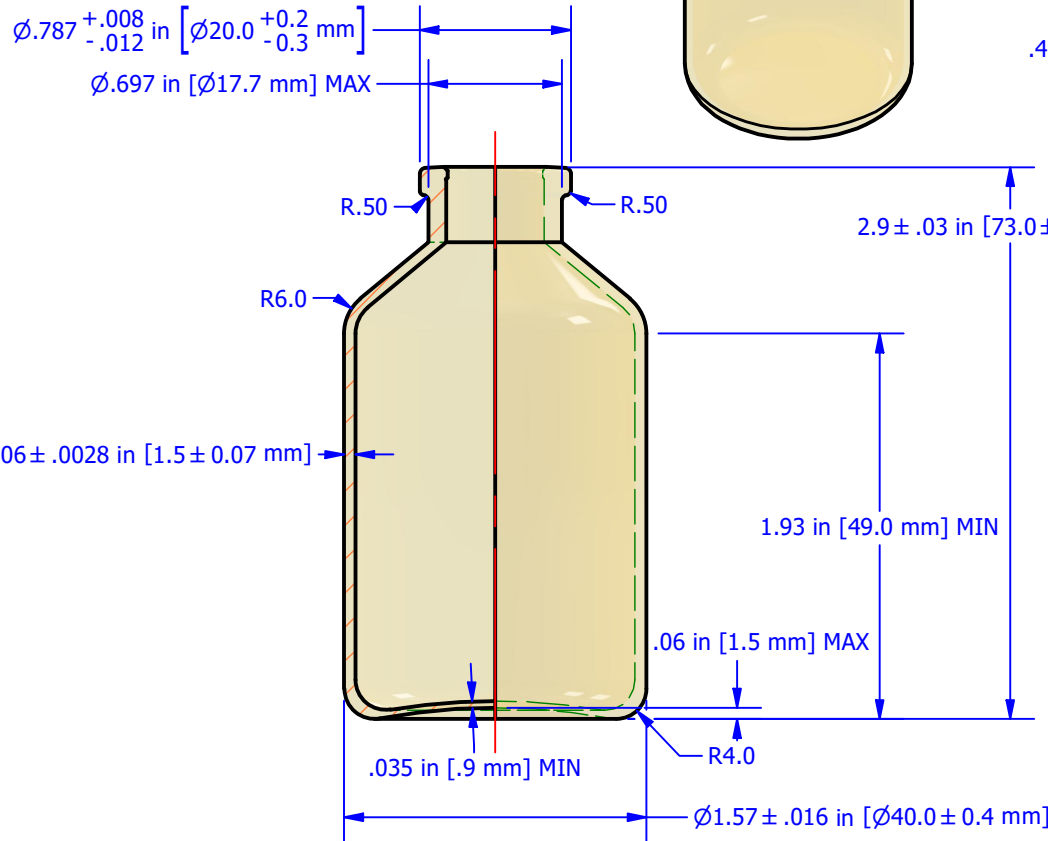
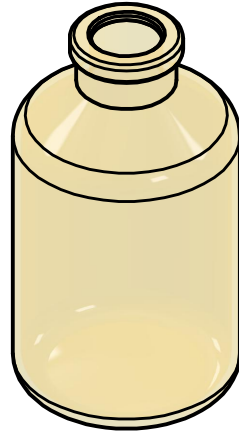


THIS DOCUMENT IS FOR REFERENCE ONLY AND IS PROPRIETARY INFORMATION BELONGING TO INTERNATIONAL FILTER PRODUCTS UNAUTHORIZED COPIES OR USE FOR OTHER PURPOSES STRICTLY PROHIBITED.

REVISIONS				
ZONE	REV	DESCRIPTION	DATE	APPROVED
	-	Production Release	05/27/2025	CD Morland



DETAIL A
SCALE 2: 1

NOTES:

- 1.0 MATERIAL: BOROSILICATE GLASS, TYPE 1, ACCORDING TO USP, EP AND JP.
- 2.0 FILL CAP: 55 mL APPROX
- 3.0 VIAL MASS: 34.4g APPROX
- 4.0 PROCESSES: WASHING: YES.
DEPYROGENATED: YES.
SILICONIZED: NO.
- 5.0 STERILIZED ETHYLENE OXIDE (ETO)

DRAWN EA Flores 5/27/2025 CHECKED OS Ahmad 5/27/2025 APPROVED CD Morland 5/27/2025	International Filter Products 7914 AJAY DRIVE Sun Valley, CA 91352 PHONE: 818-504-8115 email: sales@internationalfilterproducts.com	
UNLESS OTHERWISE SPECIFIED DIMENSIONS ARE IN INCHES DECIMALS FRACTIONS +/- 1/16 X +/- .030 ANGLES +/- 1/2 XX +/- .015 SURFACE ROUGHNESS 125 XXX +/- .005 CONCENTRICITIES .010 (FIM) INTERNAL RADII .015~.030 BREAK CORNERS .005~.015		TITLE 50 mL, Aluminum Seal, ISO Vial
SIZE A SCALE	ISOF NO DWG NO WEIGHT N/A	REV - SHEET 1 OF 1