

4

3

2

1

THIS DOCUMENT IS FOR REFERENCE ONLY AND IS PROPRIETARY INFORMATION BELONGING TO INTERNATIONAL FILTER PRODUCTS UNAUTHORIZED COPIES OR USE FOR OTHER PURPOSES STRICTLY PROHIBITED.

| REVISIONS | | | | |
|-----------|-----|-------------|-----------|------------|
| ZONE | REV | DESCRIPTION | DATE | APPROVED |
| | 1 | | 8/18/2014 | CD Morland |

D

D

C

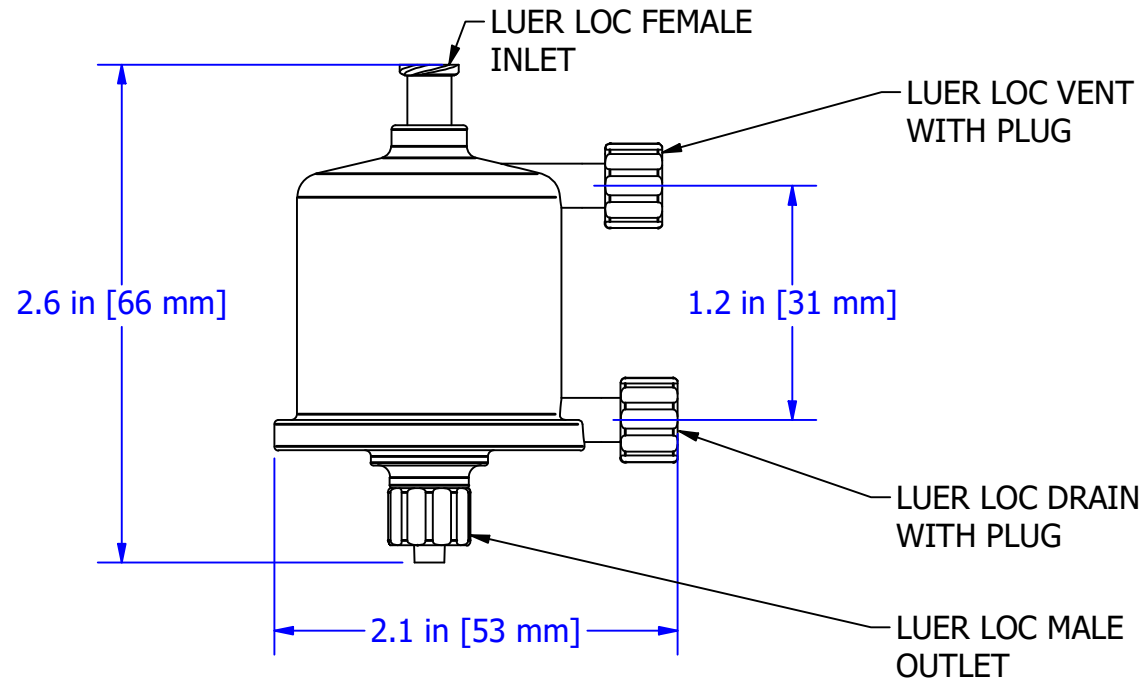
C

B

B

A

A



| | | | | |
|--|-----------------------|--------------------------------------|-------------------------------|--|
| DRAWN IFP | 8/2/2022 | International Filter Products | | |
| CHECKED CD Morland | | 7914 AJAY DR. | PHONE: 818-504-8115 | |
| APPROVED CD Morland | | SUN VALLEY, CA 91352 | FAX: 818-841-2947 | email: charlie@internationalfilterproducts.com |
| UNLESS OTHERWISE SPECIFIED DIMENSIONS ARE IN INCHES | | TITLE | | |
| DECIMALS X +/- .030 | FRACTIONS +/- 1/16 | SIZE A | ISOF NO | REV 1 |
| XX +/- .015 | ANGLES +/- 1/2 | SCALE NA | DWG NO JKP-JKL LFLM | WEIGHT |
| XXX +/- .005 | SURFACE ROUGHNESS 125 | SHEET 1 OF 1 | | |
| CONCENTRICITIES .010 (FIM) | | | | |
| INTERNAL RADII .015~.030 | | | | |
| BREAK CORNERS .005~.015 | | | | |

4

3

2

1