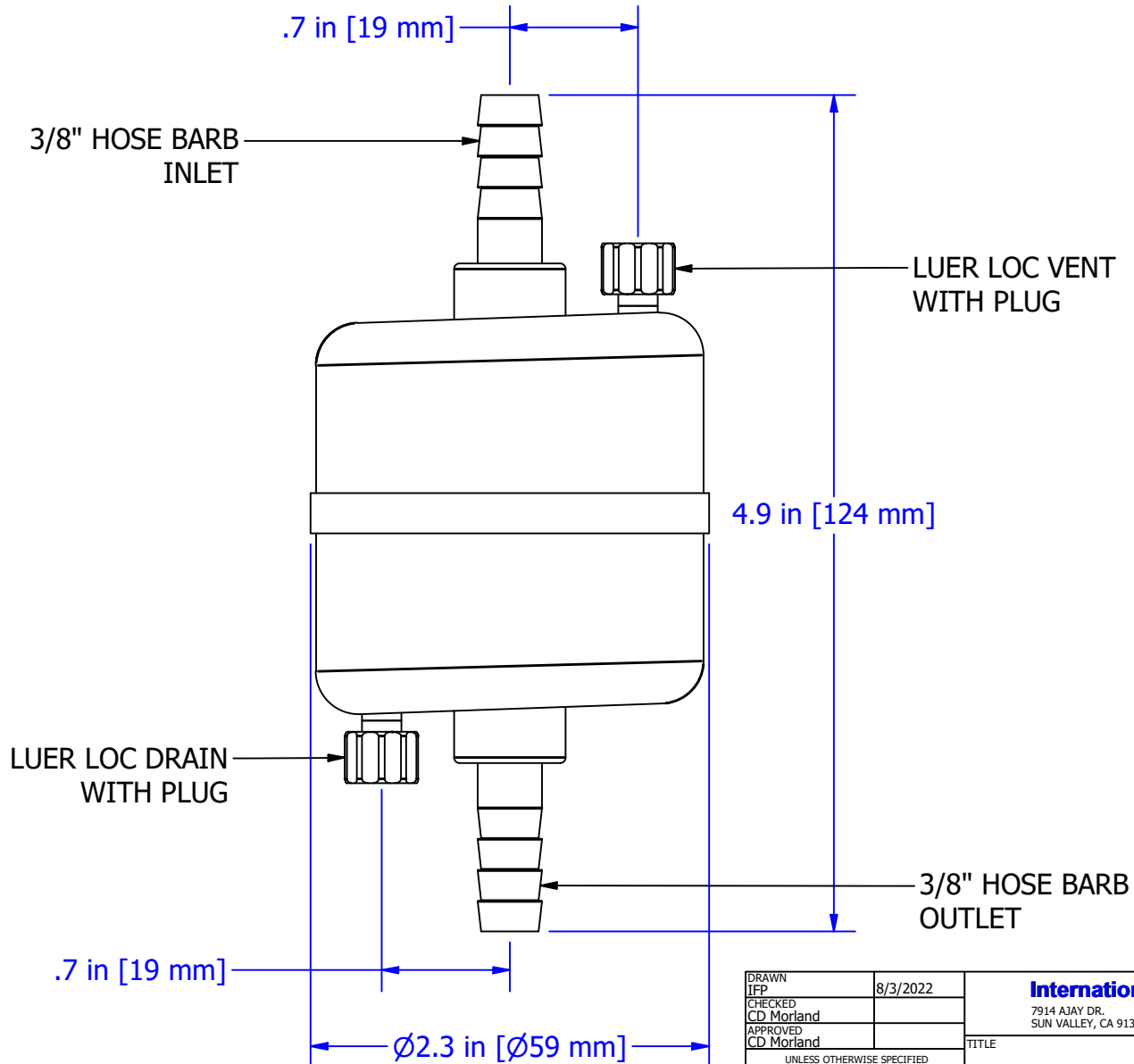


THIS DOCUMENT IS FOR REFERENCE ONLY AND IS PROPRIETARY INFORMATION BELONGING TO INTERNATIONAL FILTER PRODUCTS UNAUTHORIZED COPIES OR USE FOR OTHER PURPOSES STRICTLY PROHIBITED.

REVISIONS				
ZONE	REV	DESCRIPTION	DATE	APPROVED
	1		8/18/2014	CD Morland



DRAWN IFP	8/3/2022	International Filter Products		
CHECKED CD Morland		7914 AJAY DR.	PHONE: 818-504-8115	
APPROVED CD Morland		SUN VALLEY, CA 91352	FAX: 818-841-2947	email: charlie@internationalfilterproducts.com
UNLESS OTHERWISE SPECIFIED DIMENSIONS ARE IN INCHES		TITLE		
DECIMALS X +/- .030	FRACTIONS +/- 1/16	SIZE A	ISOF NO	DWG NO MKP-MKL 3H3H
ANGLES +/- 1/2	SURFACE ROUGHNESS 125	SCALE NA	WEIGHT	REV 1
CONCENTRICITIES .010 (FIM)	INTERNAL RADII .015~.030	SHEET 1 OF 1		
BREAK CORNERS .005~.015				