

4

3

2

1

THIS DOCUMENT IS FOR REFERENCE ONLY AND IS PROPRIETARY INFORMATION BELONGING TO INTERNATIONAL FILTER PRODUCTS UNAUTHORIZED COPIES OR USE FOR OTHER PURPOSES STRICTLY PROHIBITED.

REVISIONS				
ZONE	REV	DESCRIPTION	DATE	APPROVED
	1		8/18/2014	CD Morland

D

D

C

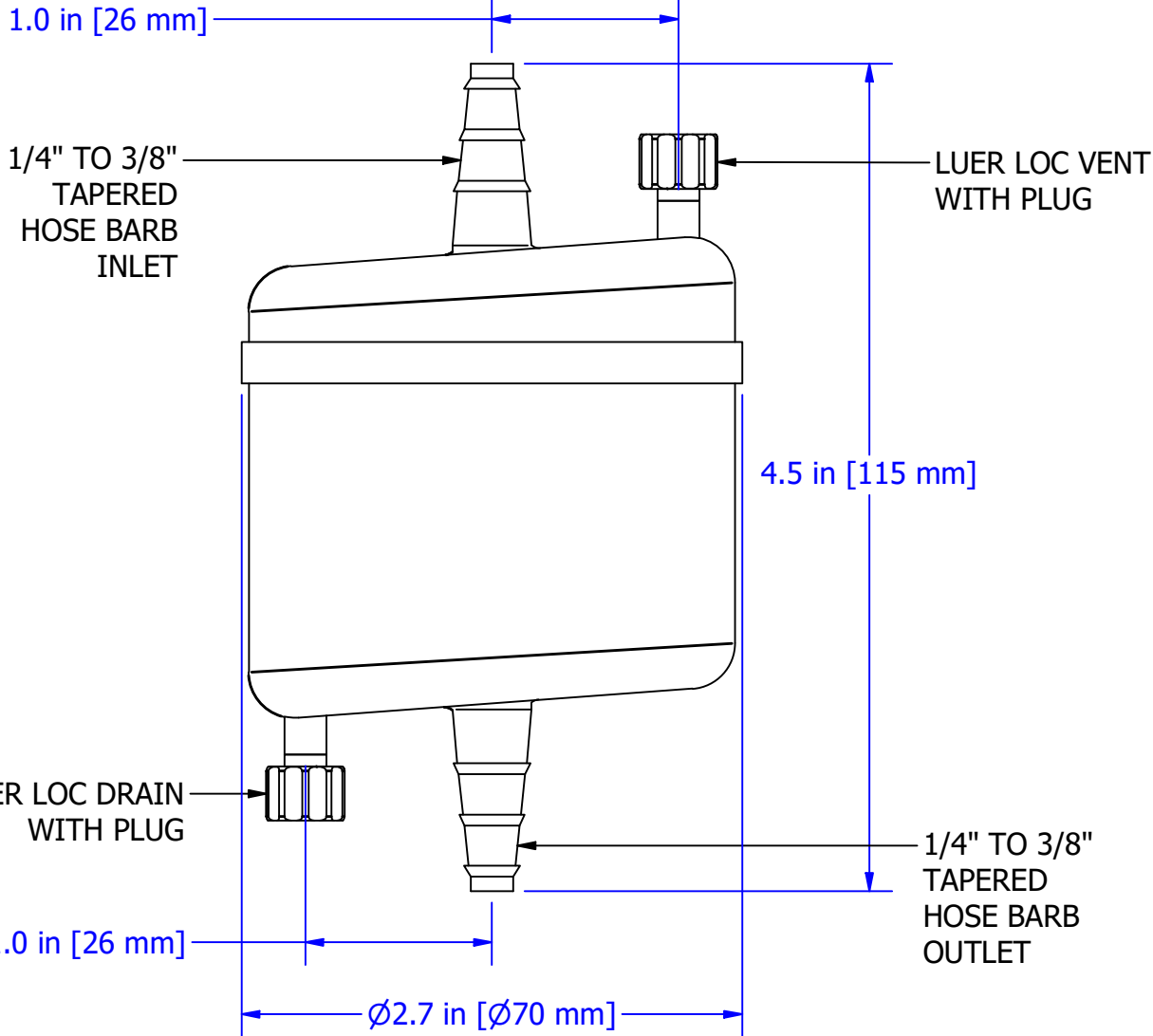
C

B

B

A

A



DRAWN IFP		8/3/2022		<b>International Filter Products</b> 7914 AJAY DR. PHONE: 818-504-8115 SUN VALLEY, CA 91352 FAX: 818-841-2947 email: charlie@internationalfilterproducts.com	
CHECKED CD Morland					
APPROVED CD Morland					
UNLESS OTHERWISE SPECIFIED DIMENSIONS ARE IN INCHES DECIMALS FRACTIONS +/- 1/16 X +/- .030 ANGLES +/- 1/2 XX +/- .015 SURFACE ROUGHNESS 125 XXX +/- .005 CONCENTRICITIES .010 (FIM) INTERNAL RADII .015~.030 BREAK CORNERS .005~.015				TITLE	
SIZE <b>A</b>	ISOF NO	DWG NO <b>SKL-H 2HS2HS</b>	REV <b>1</b>		
SCALE NA	WEIGHT	SHEET <b>1</b> OF <b>1</b>			

4

3

2

1