

4

3

2

1

THIS DOCUMENT IS FOR REFERENCE ONLY AND IS PROPRIETARY INFORMATION BELONGING TO INTERNATIONAL FILTER PRODUCTS UNAUTHORIZED COPIES OR USE FOR OTHER PURPOSES STRICTLY PROHIBITED.

REVISIONS				
ZONE	REV	DESCRIPTION	DATE	APPROVED
	1		8/18/2014	CD Morland

D

D

C

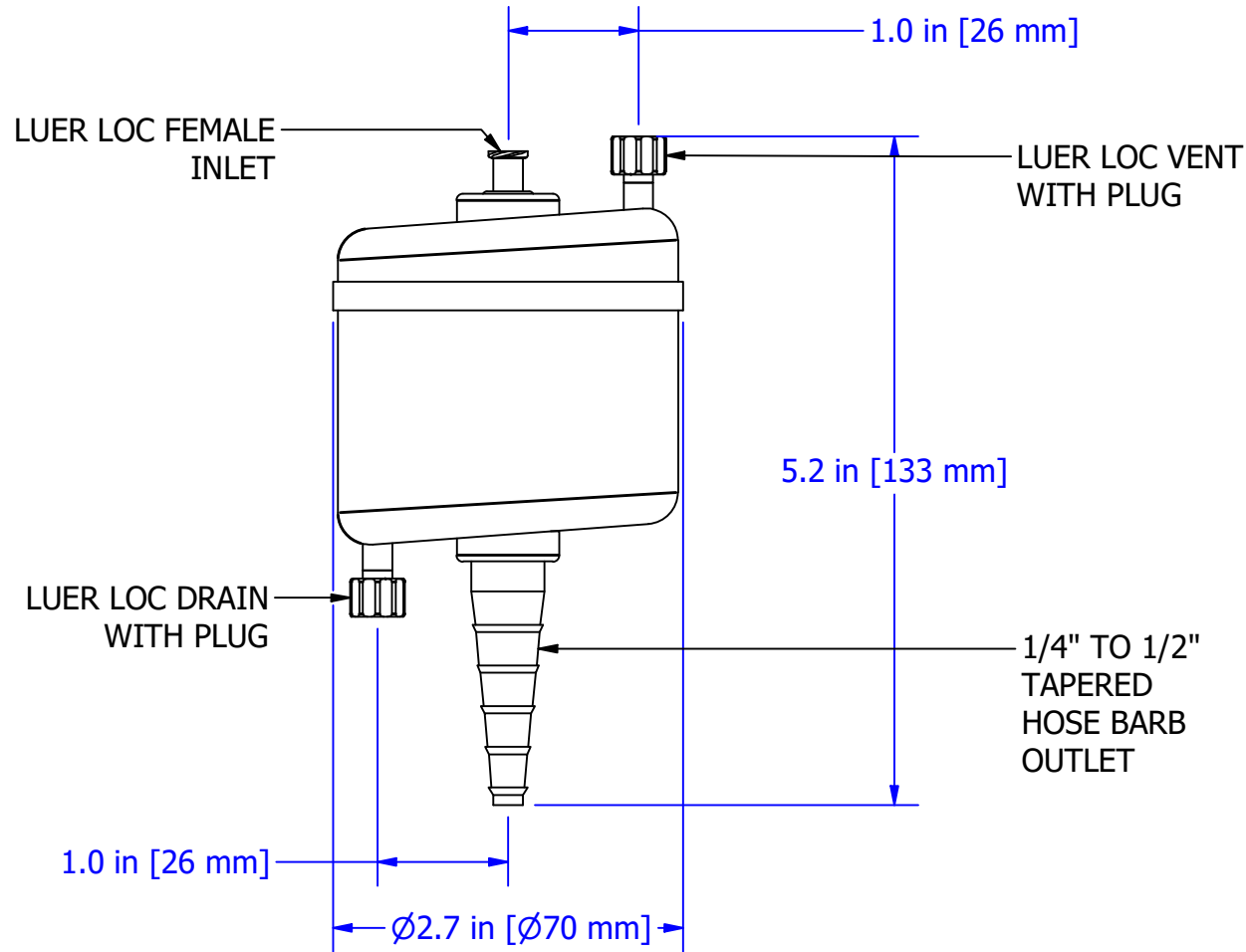
C

B

B

A

A



DRAWN IFP	8/9/2022
CHECKED CD Morland	
APPROVED CD Morland	

**International Filter Products**  
 7914 AJAY DR. PHONE: 818-504-8115  
 SUN VALLEY, CA 91352 FAX: 818-841-2947  
 email: charlie@internationalfilterproducts.com

UNLESS OTHERWISE SPECIFIED  
 DIMENSIONS ARE IN INCHES

DECIMALS FRACTIONS +/- 1/16  
 X +/- .030 ANGLES +/- 1/2  
 XX +/- .015 SURFACE ROUGHNESS 125  
 XXX +/- .005

CONCENTRICITIES .010 (FIM)  
 INTERNAL RADII .015~.030  
 BREAK CORNERS .005~.015

TITLE			
SIZE <b>A</b>	ISOF NO	DWG NO <b>SKL-H LF2H</b>	REV <b>1</b>
SCALE NA	WEIGHT	SHEET <b>1</b> OF <b>1</b>	

4

3

2

1