

4

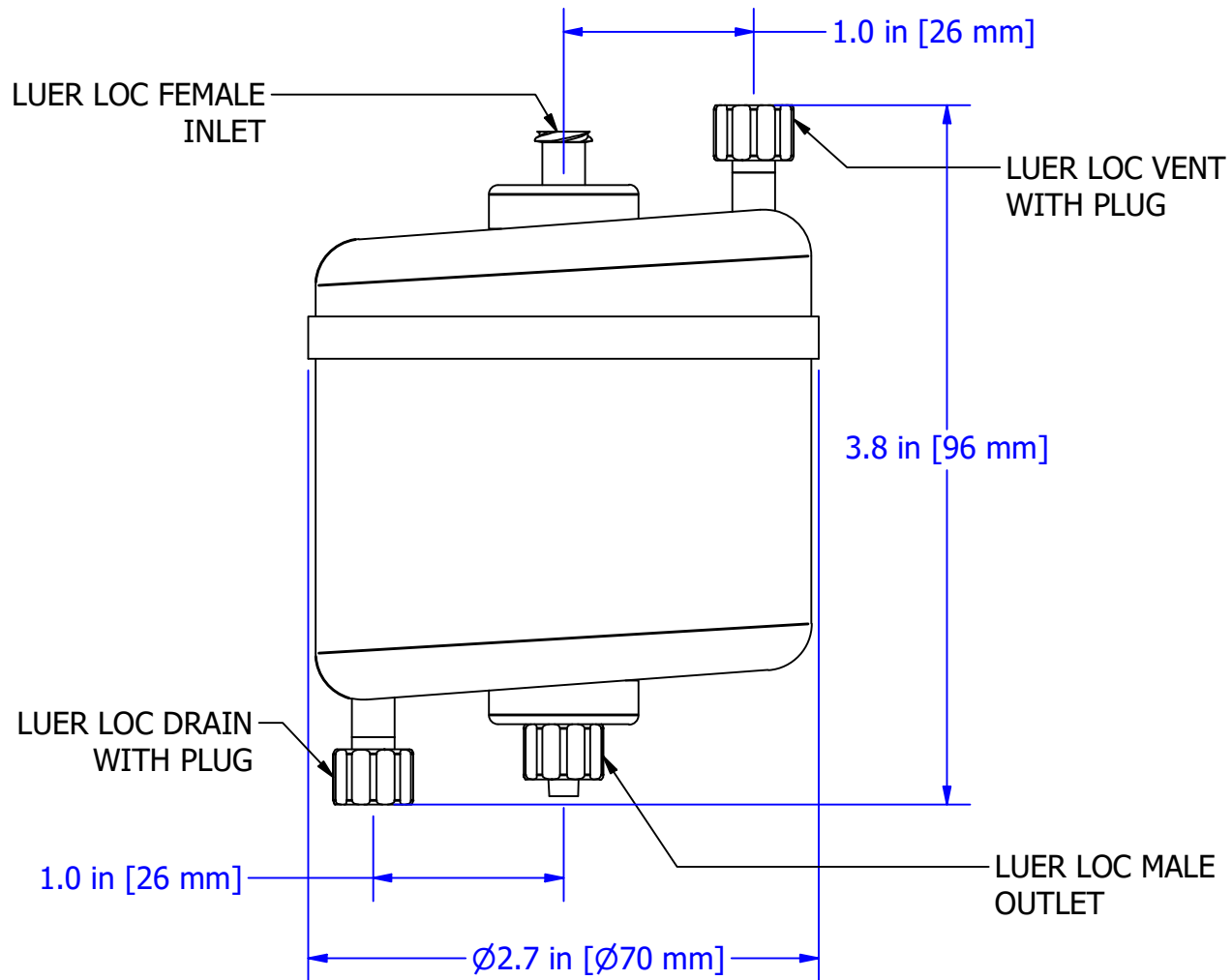
3

2

1

THIS DOCUMENT IS FOR REFERENCE ONLY AND IS PROPRIETARY INFORMATION BELONGING TO INTERNATIONAL FILTER PRODUCTS UNAUTHORIZED COPIES OR USE FOR OTHER PURPOSES STRICTLY PROHIBITED.

REVISIONS				
ZONE	REV	DESCRIPTION	DATE	APPROVED
	1		8/18/2014	CD Morland



D

D

C

C

B

B

A

A

4

3

2

1

DRAWN IFP	8/9/2022	International Filter Products		
CHECKED CD Morland		7914 AJAY Dr. SUN VALLEY, CA 91352	PHONE: 818-504-8115 FAX: 818-841-2947 email: charlie@internationalfilterproducts.com	
APPROVED CD Morland		TITLE		
UNLESS OTHERWISE SPECIFIED DIMENSIONS ARE IN INCHES		SIZE A	ISOF NO	REV 1
DECIMALS X +/- .030	FRACTIONS +/- 1/16	SCALE	WEIGHT	
XX +/- .015	ANGLES +/- 1/2			
XXX +/- .005	SURFACE ROUGHNESS 125			
CONCENTRICITIES .010 (FIM)		DWG NO SKL-H LFLM		
INTERNAL RADII .015~.030		SHEET 1 OF 1		
BREAK CORNERS .005~.015				