

4

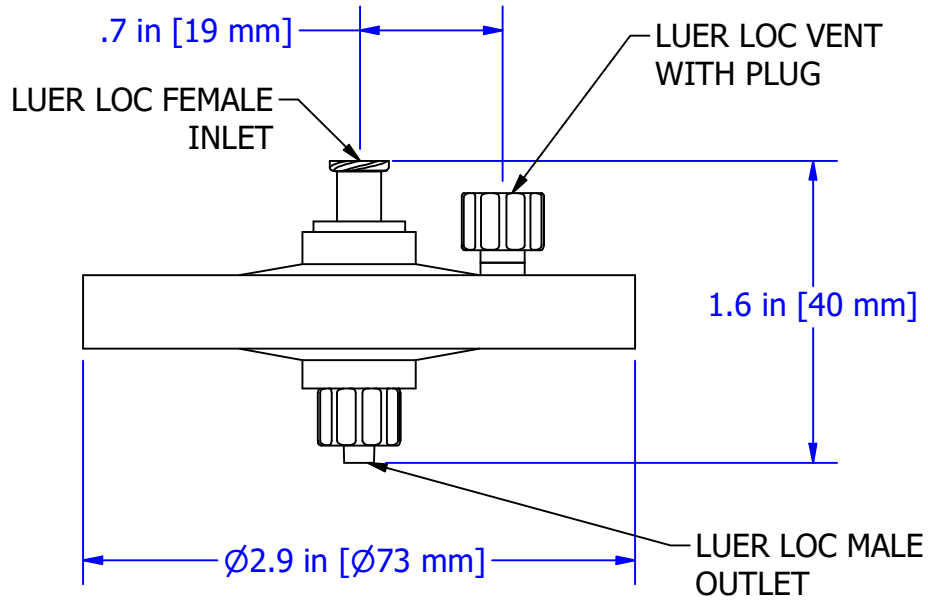
3

2

1

THIS DOCUMENT IS FOR REFERENCE ONLY AND IS PROPRIETARY INFORMATION BELONGING TO INTERNATIONAL FILTER PRODUCTS UNAUTHORIZED COPIES OR USE FOR OTHER PURPOSES STRICTLY PROHIBITED.

REVISIONS				
ZONE	REV	DESCRIPTION	DATE	APPROVED
	-	Sales Drawing	8/04/2022	CD Morland



D

D

C

C

B

B

A

A

4

3

2

1

DRAWN EA Flores	8/4/2022
CHECKED YA Zanki	8/4/2022
APPROVED CD Morland	8/4/2022

International Filter Products
 7914 AJAY DRIVE
 SUN VALLEY, CA 91352
 PHONE: 818-504-8115
 FAX: 818-841-2947
 email: charlie@internationalfilterproducts.com

UNLESS OTHERWISE SPECIFIED
 DIMENSIONS ARE IN INCHES
 DECIMALS FRACTIONS +/- 1/16
 X +/- .030 ANGLES +/- 1/2
 XX +/- .015 SURFACE ROUGHNESS 125
 XXX +/- .005
 CONCENTRICITIES .010 (FIM)
 INTERNAL RADII .015~.030
 BREAK CORNERS .005~.015

TITLE			
PureFlo® D65R Series			
SIZE A	ISOF NO	DWG NO D65R X LFLM-X-X	REV -
SCALE NA	WEIGHT N/A	SHEET 1 OF 1	