

4

3

2

1

THIS DOCUMENT IS FOR REFERENCE ONLY AND IS PROPRIETARY INFORMATION BELONGING TO INTERNATIONAL FILTER PRODUCTS UNAUTHORIZED COPIES OR USE FOR OTHER PURPOSES STRICTLY PROHIBITED.

REVISIONS				
ZONE	REV	DESCRIPTION	DATE	APPROVED
	-	Sales Drawing	08/04/2022	CD Morland

D

D

C

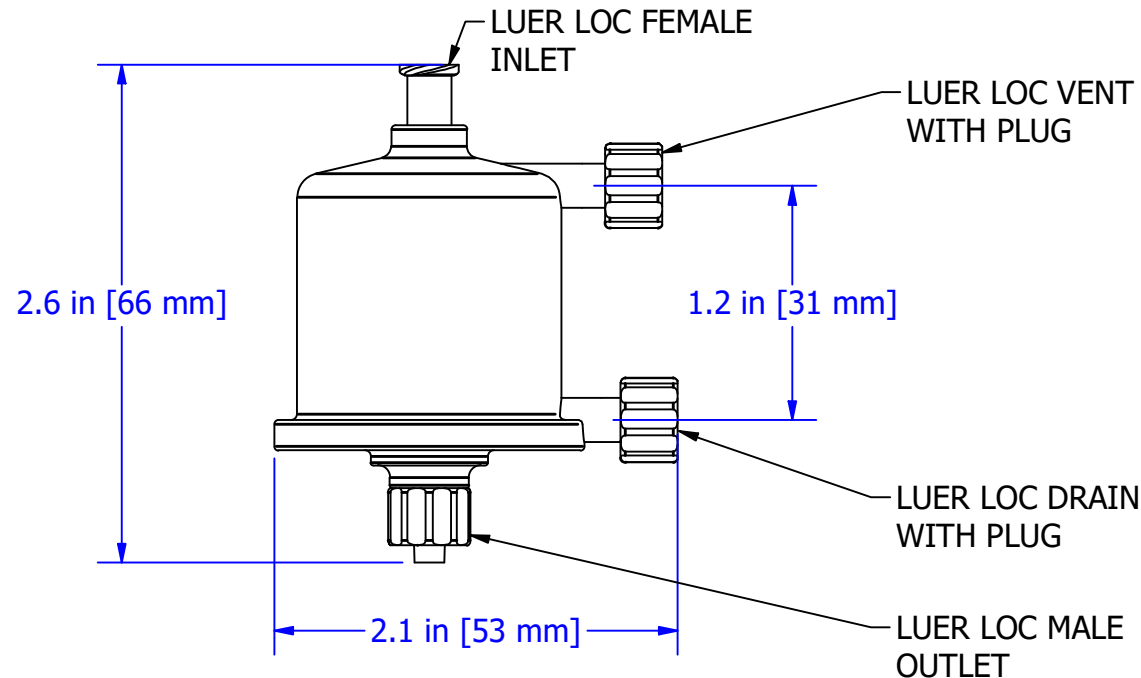
C

B

B

A

A



DRAWN EA Flores	8/4/2022
CHECKED YA Zanki	8/4/2022
APPROVED CD Morland	8/4/2022

International Filter Products

7914 AJAY DRIVE
SUN VALLEY, CA 91352

PHONE: 818-504-8115
FAX: 818-841-2947
email: charlie@internationalfilterproducts.com

UNLESS OTHERWISE SPECIFIED
DIMENSIONS ARE IN INCHES

DECIMALS FRACTIONS +/- 1/16
X +/- .030 ANGLES +/- 1/2
XX +/- .015 SURFACE ROUGHNESS 125
XXX +/- .005

CONCENTRICITIES .010 (FIM)
INTERNAL RADII .015~.030
BREAK CORNERS .005~.015

TITLE			
PureFlo® JKP-JKL Series			
SIZE A	ISOF NO	DWG NO JKP-JKL X LFLM-X	REV -
SCALE NA	WEIGHT	SHEET 1 OF 1	

4

3

2

1